



Product Description

The SLC-Switch One is a small device designed for single-phase applications, enabling the control of a single electrical phase.

The switching control can be configured depending on time, external inputs, and Astro clock. The configuration and monitoring of the switching function can be done conveniently from the office via the web application: SL-Control or directly on site with the help of the SL-Configurator.

Despite its compact design, a small smart meter is integrated. Current, voltage, power and energy for a single-phase can be displayed in the SL-Configurator.

BENEFITS

- Switch a single phase for on-site and/or remote control of connected street lights by esave SL- Control
- Monitor street light controllers over the mesh network and gateway functionality
- Integration of smart meter for monitoring energy consumption
- Access measurement data through the esave SL-Control web application

FEATURES



Remote Management

The Light Management Platform provides real-time and historical data of the entire lighting network. It allows the remote management and control of all connected lighting points using a user-friendly cloud interface.



On-Site Management

The intuitive, easy-to-use configuration tool allows the on-site configuration of all parameters (i.e., dimming level etc.) for either an individual or a group of luminaires.



Mesh Network

The Communication is ensured via an automatic, organizing 2.4 GHz mesh network. Each streetlight communicates with all luminaires which can be reached.



Built-In Relay

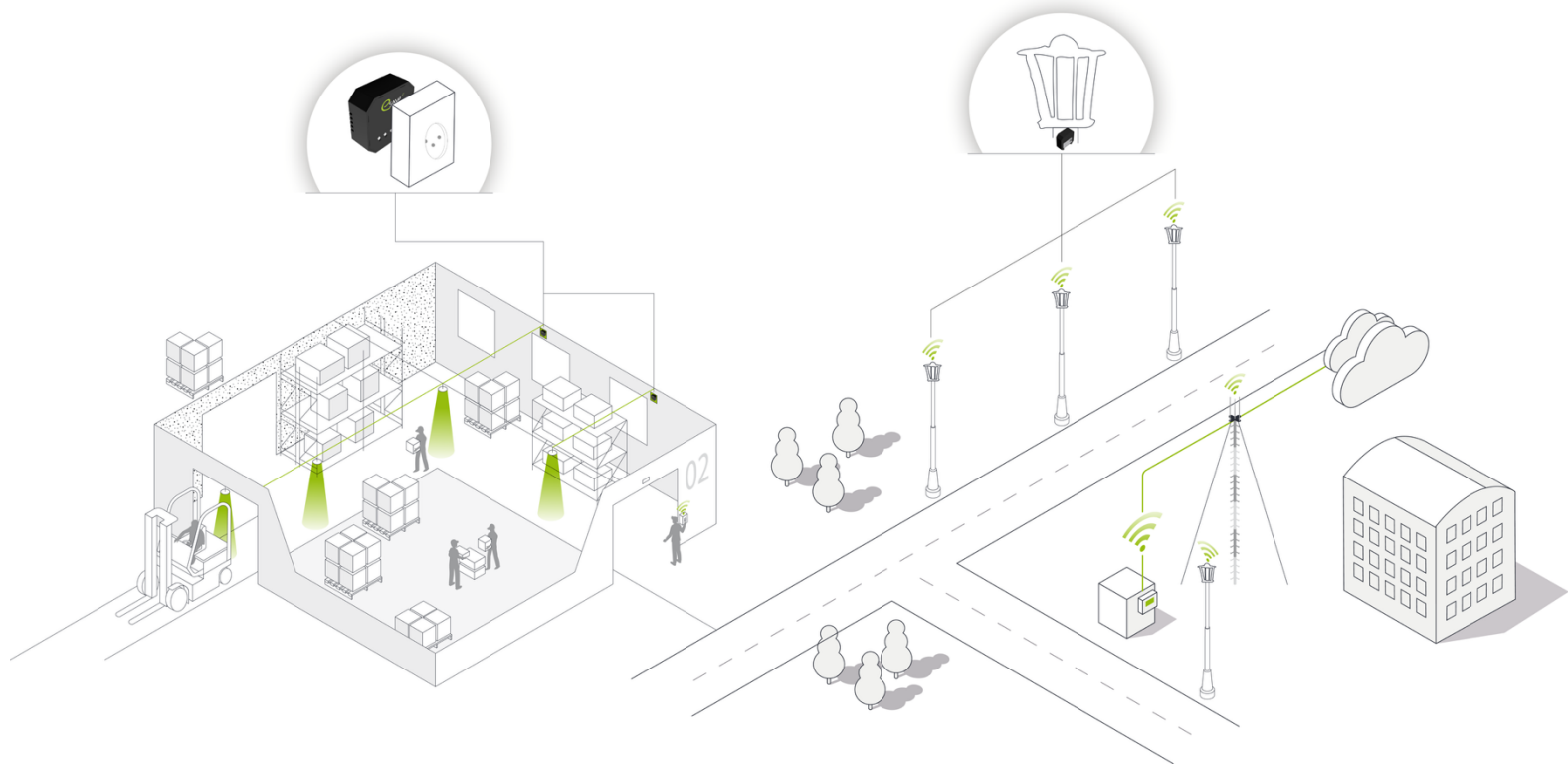
The integrated relay output can be directly controlled through the web application and react immediately on measurement data by connected devices.



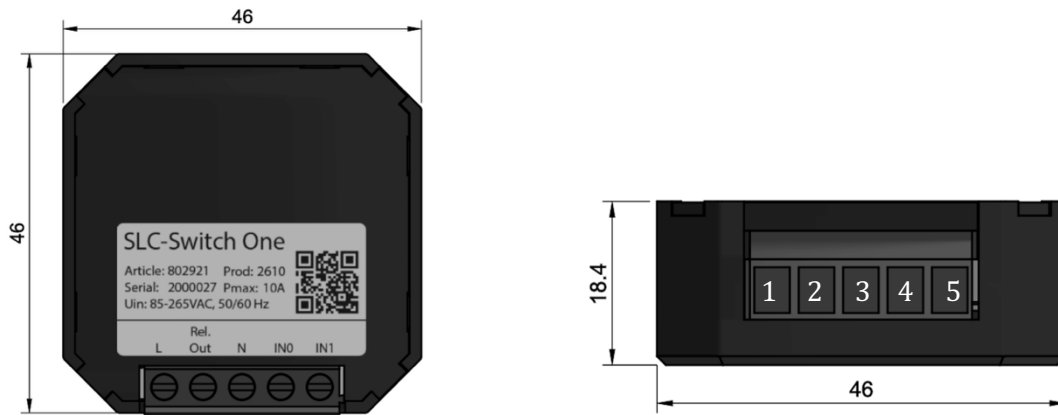
Smart Meter

The SLC-Switch One can capture current, voltage, power and energy and transmit this data to our SL-Configurator.



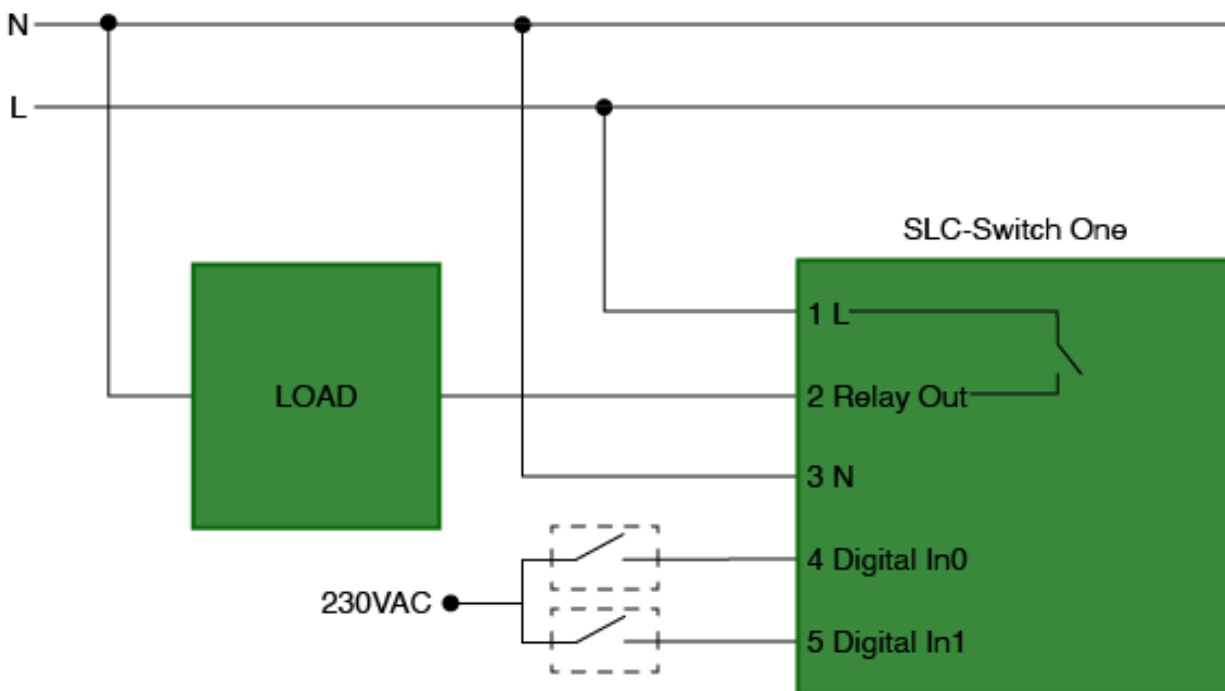


DIMENSIONS



WIRING

Conductor cross section	0.5 ~ 1.5 mm ²
-------------------------	---------------------------



Maximum Ratings

Supply voltage	85 - 265 V AC
Power consumption	Max. 1W
Storage temperature	-40...+85 °C

Operating Characteristics

Supply voltage range	85 - 265 V AC typ. 230 V AC
Switching threshold digital signal	90 V AC
Digital input impedance	930k Ω
Operating temperature	-40...+70 °C
Smart meter precision	<1%

Interference Immunity

Surge protection	4kV, 2 Ω
Surge pulse	1.2/50us, 8/20us
Burst voltage	2kV
Burst frequency	5kHz, 100kHz

Relay Output Characteristics

Load voltage	85 - 265 V AC typ. 230 V AC
Frequency	47 - 63 Hz typ. 50 Hz
Load current	Max. 10Arms

Wireless Characteristics

RF frequency range	2.420 - 2.480 GHz
RF nominal output power	+6 dBm
Receiver sensitivity	-100 dBm

Standards

The device complies with EN55022 class B (for use in or in the immediate vicinity of residential, commercial and industrial areas)

All information has been carefully checked. Nevertheless, errors and technical changes are reserved.