

## SLC-Box



## SLC-Box GPS



### Description

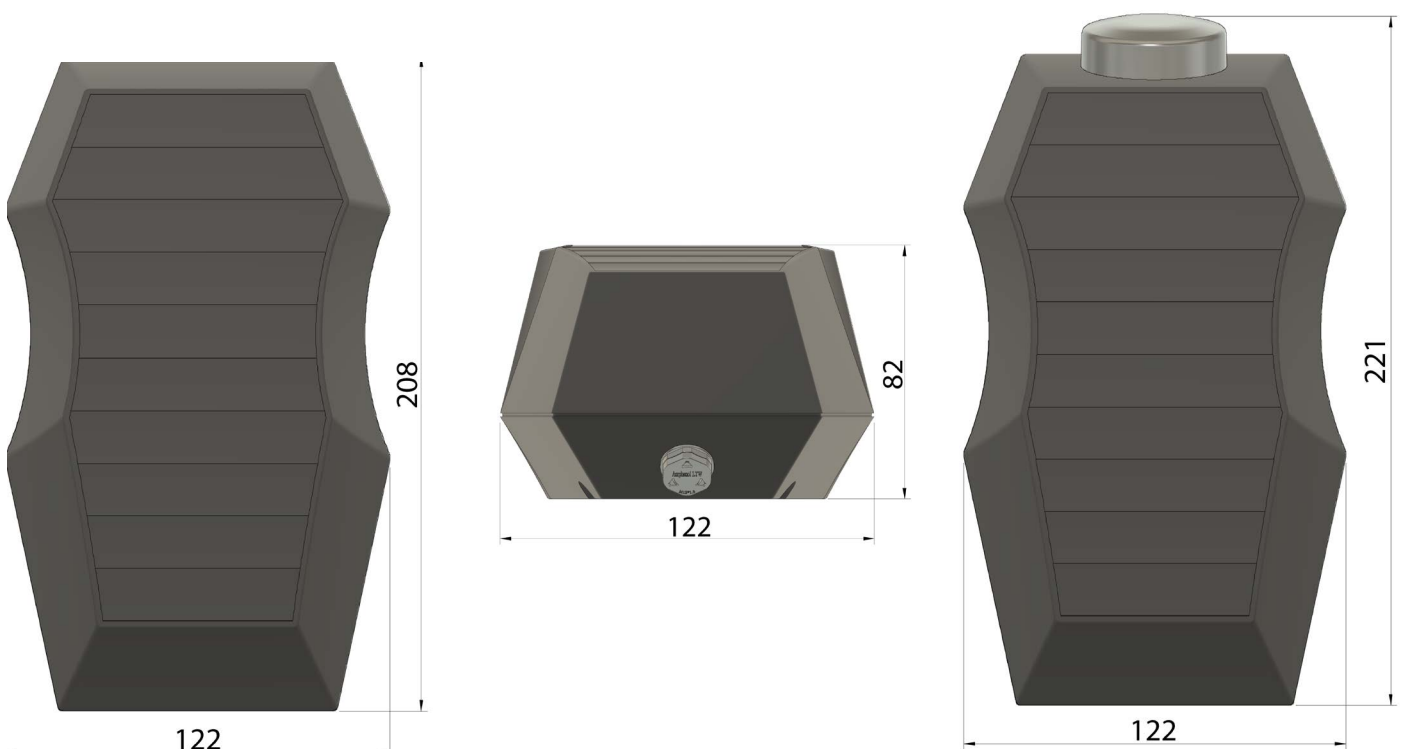
The SLC-Box is equipped with an SLC-AC Controller and a mast bracket, that allows easy installation in many different situations. If there is a large distance between two street lights, an SLC-Box can be used as a repeater to connect both networks with each other.

If a customer would like to dim the lights based on times, an SLC-Box GPS can be installed to act as a time source. In this case the SL-Gateway, which usually covers this task, can be omitted.

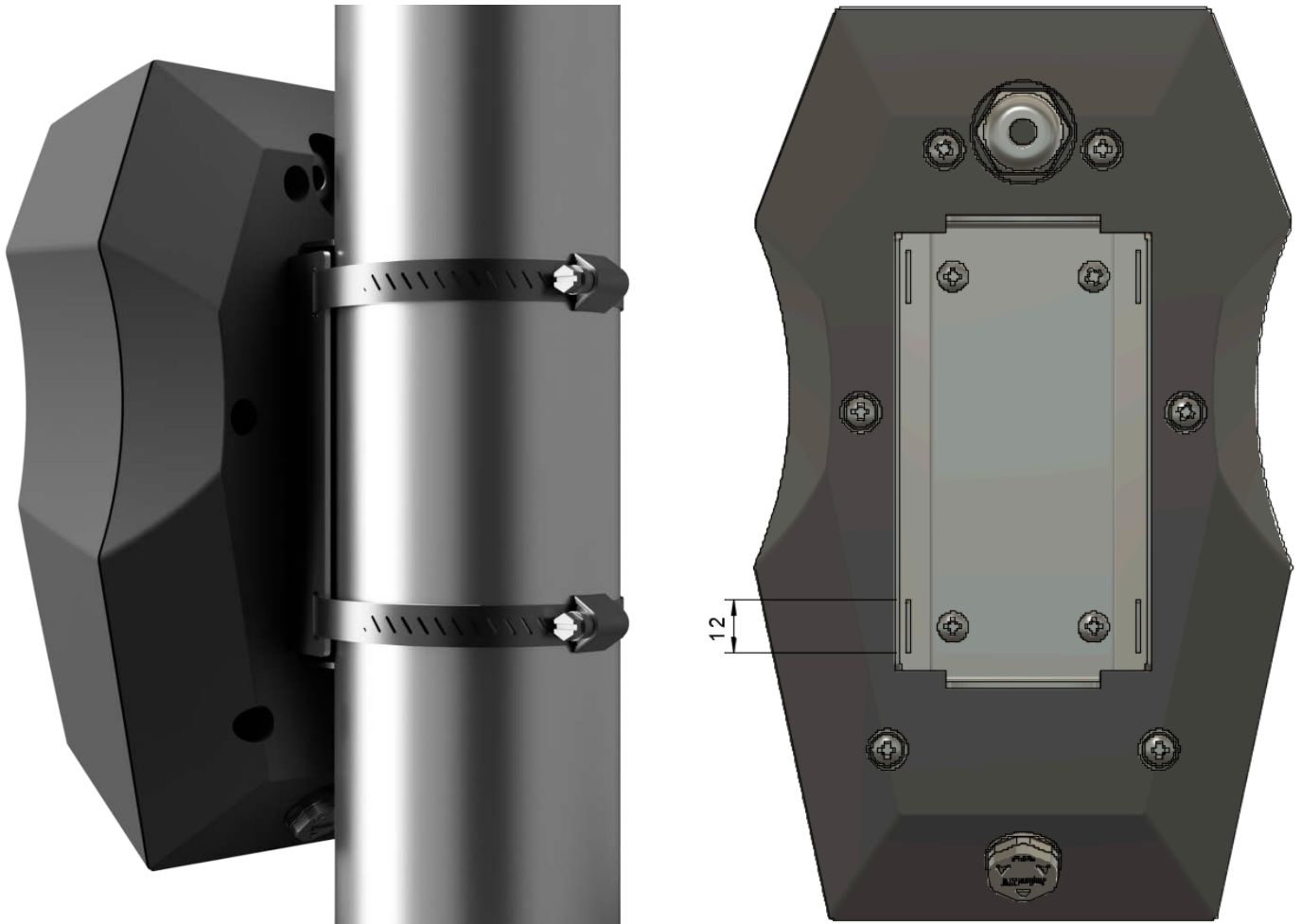
### Features

- Large transmission paths can be bridged, leading to a better network performance
- GPS option to synchronize the time, and automatically determine the position
- Can be easily combined with a variety of external devices

### Dimensions



## Installation



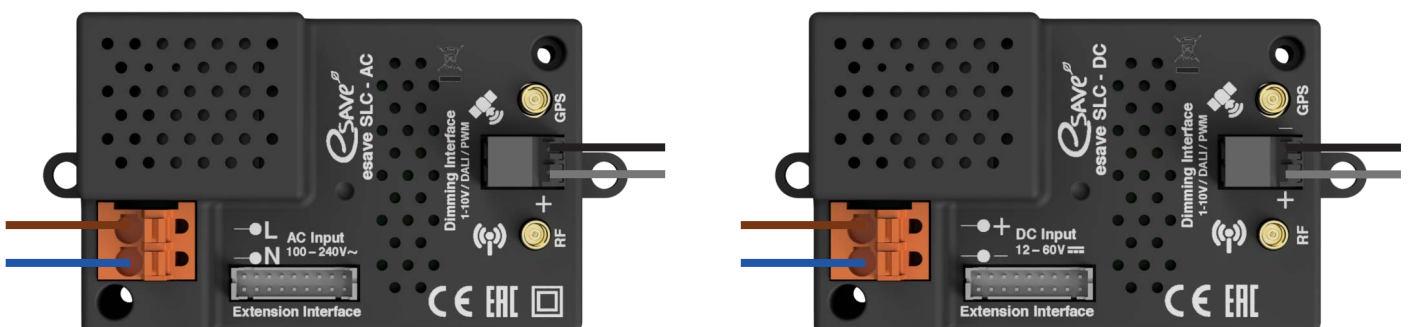
### Pole mounting straps

Band Width	max. 12mm
Not included	

### Connection cable

Control cable	DIN Unipur 5x 0.75
Article No.	802567
Length freely selectable	

## Wiring



## Maximum ratings

Parameter	Type	Sym	Min	Max	Unit
Supply Voltage	SLC-AC SLC-AC GPS	$V_{in}$		240	V AC
	SLC-DC SLC-DC GPS		0	60	V DC
Operating temp.	SLC-AC SLC-AC GPS	$T_A$	-25	+80	°C
Operating temp.	SLC-DC SLC-DC GPS		-25	+85	°C
Storage temp.	any	$T_S$	-40	90	°C
Surge / burst input voltage immunity (all connectors)	any	$V_{ps}$		2.0	kV

## Operating characteristics

Parameter	Type	Sym	Min	Typ	Max	Unit
Supply Voltage Range	SLC-AC SLC-AC GPS	$V_{in}$	100		240	V AC
	SLC-DC SLC-DC GPS		12		60	V DC
Power usage $I_{out} = 0$ mA No sensor or ext. connected  *1 $V_{Sup} = 230$ V AC *2 $V_{Sup} = 12$ V DC *3 $V_{Sup} = 24$ V DC *4 $V_{Sup} = 40$ V DC	SLC-AC	$P_{op}^{*1}$		0.43		W
	SLC-AC GPS			0.68		
	SLC-DC	$P_{op}^{*2}$		0.22		
	SLC-DC GPS			0.48		
	SLC-DC	$P_{op}^{*3}$		0.25		
	SLC-DC GPS			0.52		
	SLC-DC	$P_{op}^{*4}$		0.25		
	SLC-DC GPS			0.54		

## Wireless characteristics

Parameter	Sym	Min	Typ	Max	Unit
RF frequency range (center frequency)	$f_w$	2.420		2.480	GHz
RF nominal output power			4.5	8	dBm
Receiver sensitivity			-97	-92	dBm

Ratings and characteristics of the esave PIR5 motion sensor can be found in its datasheet.

## Approvals

Category	Declaration / Certificates
CE conformity	CE compliant
Hazardous substances	RoHS compliant: Restriction of Hazardous Substance Directive
Housing flame resistance	UL Recognized Flame Class Rating: UL 94 HB
Electromagnetic compatibility (EMC / ERM)	<ul style="list-style-type: none"> <li>EN 300 328 V2.1.1 (2016-11)</li> <li>EN 301 489-1 V1.9.2:2011</li> <li>EN 301 489-17 V2.2.1:2012</li> <li>EN 61000-6-2:2005</li> </ul>
Safety	<ul style="list-style-type: none"> <li>EN 62368-1 2014 + AC:2015</li> </ul>