

SLC-Box Radar



SLC-Box GPS / Radar



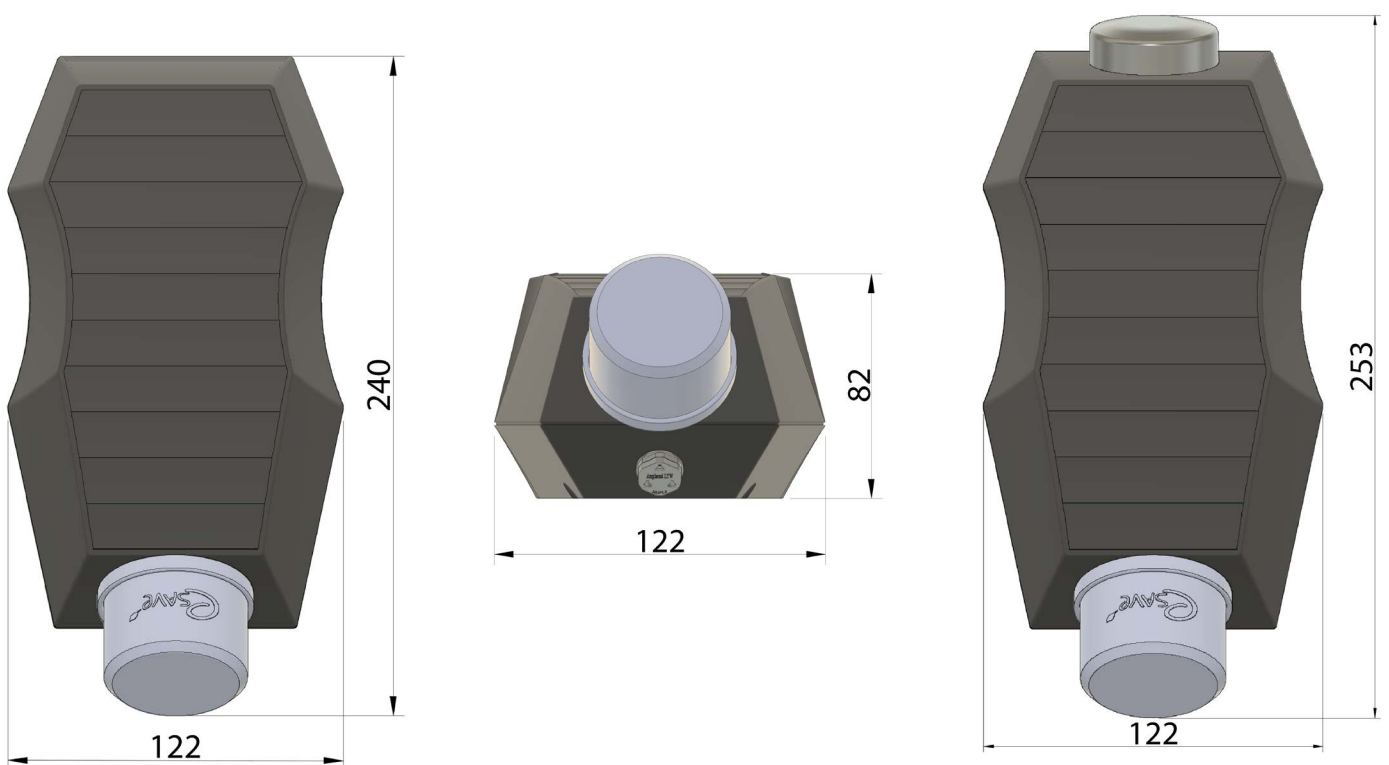
Description

The SLC-Box Radar is equipped with the esave LightRadar sensor and the mast bracket, that allows easy installation in many different situations. The LightRadar sensor is an object-tracking system that uses radar technology to characterize a motion of an object. It is designed to be used for a wide range of applications. Thanks to its built-in algorithms, the SLC-Box Radar is capable to differentiate between pedestrians, cyclists, motobike, cars and trucks.

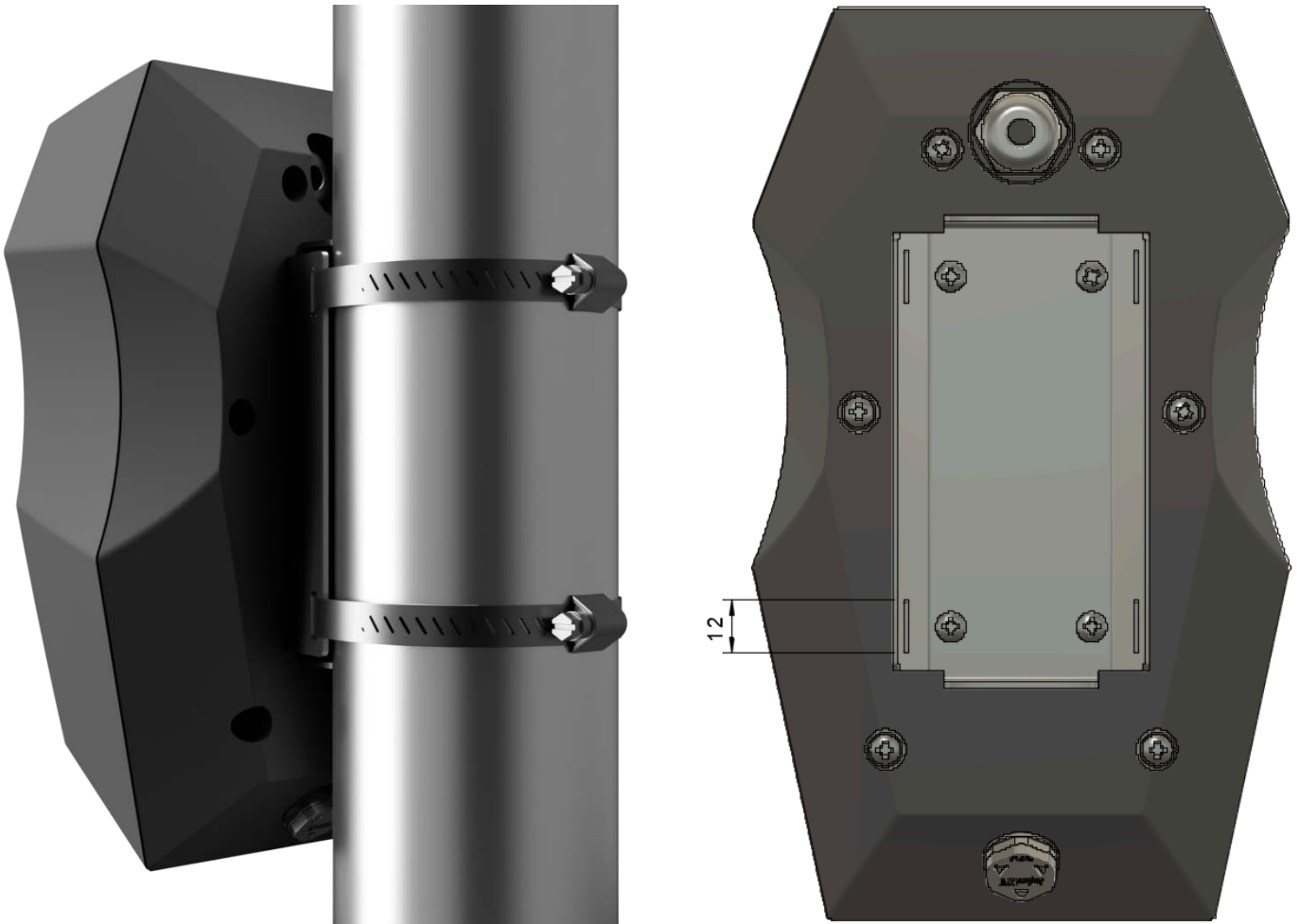
Features

- Object classification
- Measures the speed and direction
- Easy on-site configuration
- Adaptable to different application requirements

Dimensions



Installation



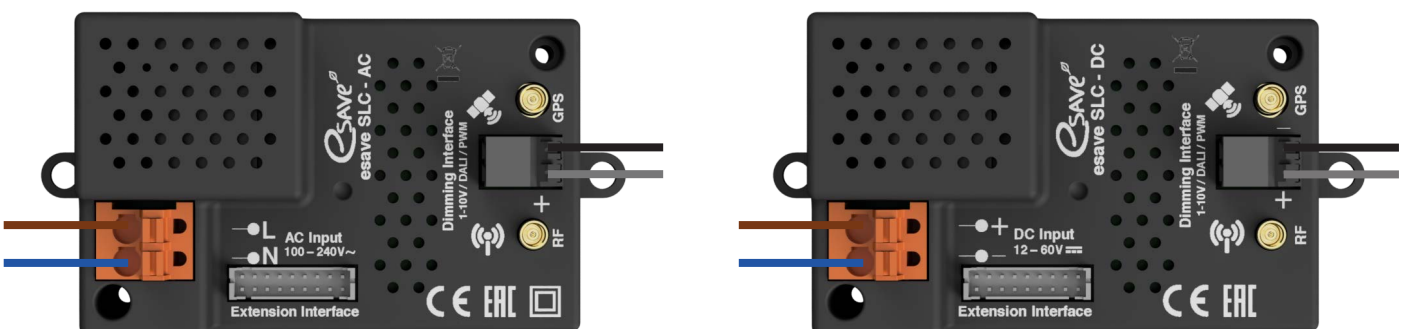
Pole mounting straps

Band Width	max. 12mm
Not included	

Connection cable

Control cable	DIN Unipur 5x 0.75
Article No.	802567
Length freely selectable	

Wiring



Maximum ratings

Parameter	Type	Sym	Min	Max	Unit
Supply Voltage	SLC-AC SLC-AC GPS	V_{in}		240	V AC
	SLC-DC SLC-DC GPS		0	60	V DC
Operating temp.	SLC-AC SLC-AC GPS	T_A	-25	+80	°C
Operating temp.	SLC-DC SLC-DC GPS		-25	+85	°C
Storage temp.	any	T_s	-40	90	°C
Surge / burst input voltage immunity (all connectors)	any	V_{ps}		2.0	kV

Operating characteristics

Parameter	Type	Sym	Min	Typ	Max	Unit
Supply Voltage Range	SLC-AC SLC-AC GPS	V_{in}	100		240	V AC
	SLC-DC SLC-DC GPS		12		60	V DC
Power usage $I_{out} = 0$ mA No sensor or ext. connected *1 $V_{Sup} = 230$ V AC *2 $V_{Sup} = 12$ V DC *3 $V_{Sup} = 24$ V DC *4 $V_{Sup} = 40$ V DC	SLC-AC	P_{op}^{*1}		0.43		W
	SLC-AC GPS			0.68		
	SLC-DC	P_{op}^{*2}		0.22		
	SLC-DC GPS			0.48		
	SLC-DC	P_{op}^{*3}		0.25		
	SLC-DC GPS			0.52		
	SLC-DC	P_{op}^{*4}		0.25		
	SLC-DC GPS			0.54		

Wireless characteristics

Parameter	Sym	Min	Typ	Max	Unit
RF frequency range (center frequency)	f_w	2.420		2.480	GHz
RF nominal output power			4.5	8	dBm
Receiver sensitivity			-97	-92	dBm

Ratings and characteristics of the esave PIR5 motion sensor can be found in its datasheet.

Approvals

Category	Declaration / Certificates
CE conformity	CE compliant
Hazardous substances	RoHS compliant: Restriction of Hazardous Substance Directive
Housing flame resistance	UL Recognized Flame Class Rating: UL 94 HB
Electromagnetic compatibility (EMC / ERM)	<ul style="list-style-type: none"> EN 300 328 V2.1.1 (2016-11) EN 301 489-1 V1.9.2:2011 EN 301 489-17 V2.2.1:2012 EN 61000-6-2:2005
Safety	<ul style="list-style-type: none"> EN 62368-1 2014 + AC:2015