



Product Description

The SLC-Box Zhaga Connection is equipped with a Lumawise Endurance S socket from TE connectivity (Zhaga-connectivity module). An operator can easily equip it with a SLC-Hub or SLC-Motion via plug and play.

BENEFITS

- On-Site management of esave devices.
- User-friendly Windows software to view, configure and manage esave devices.
- System configuration without Internet connection.



FEATURES



On-Site Management

The intuitive, easy-to-use configuration tool allows the on-site configuration of all parameters (i.e., dimming level etc.) for either an individual or a group of luminaires.



Easy Interface

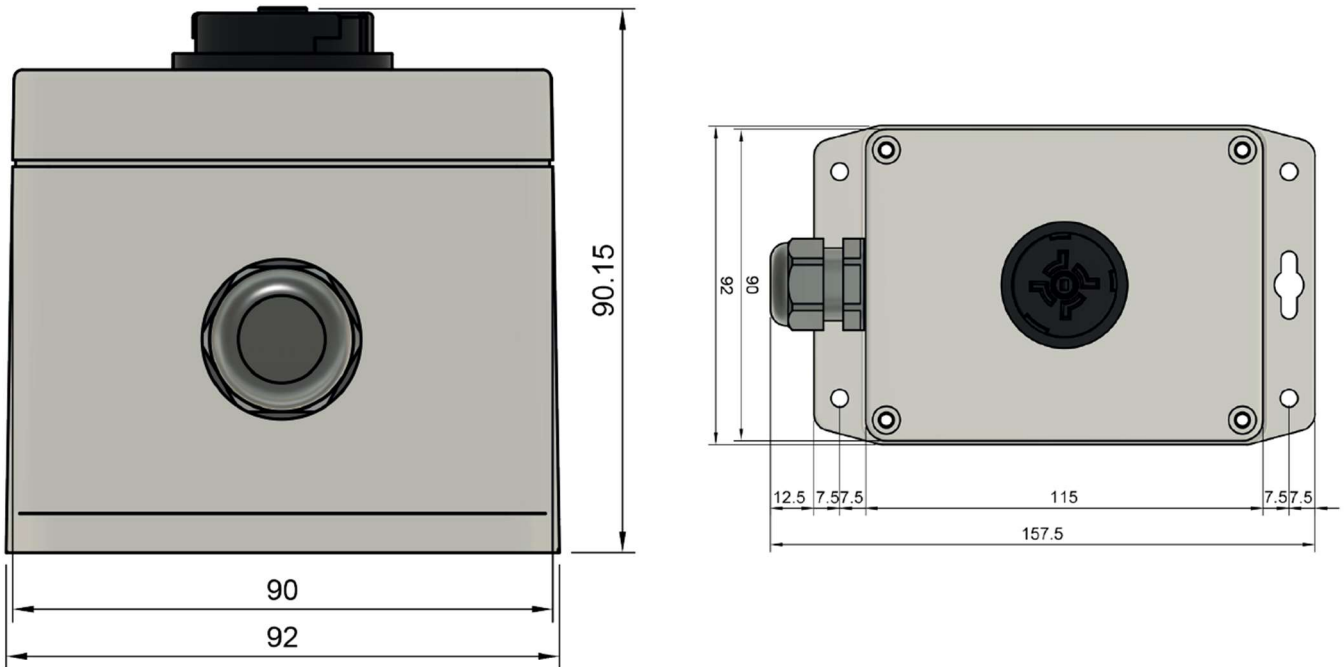
Access updates on the overall system condition, active luminaires and their dimming profiles with visual representations, and environmental data such as temperature and CO2 levels. Access alerts you to any system failures and provides convenient access to essential settings through predefined toolbars.



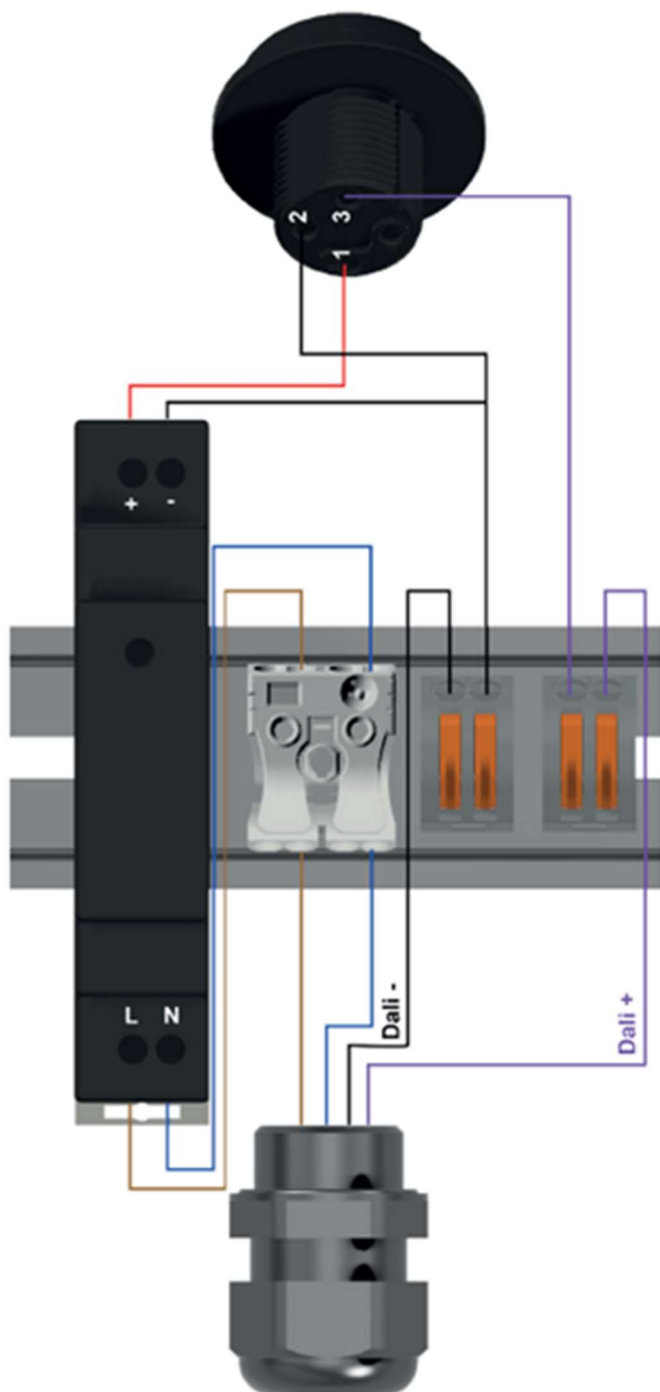
Mesh Network

The Communication is ensured via an automatic, organizing 2.4 GHz mesh network. Each streetlight communicates with all luminaires which can be reached.

DIMENSIONS



WIRING DIAGRAM



Housing

Material	ABS
Temperature range	-20 ... +80°C
Protection Class	IP 65
Fire Class	UL 94 HB
Color	Dark Grey or Light Grey

Cable Gland

Material	Polyamide
Membrane	ePTFE
Temperature range	-40 ... +100 °C
Protection Class	IP 68/69
Cable Diameter	4.5 - 10 mm
Maximum Torque	1.5 Nm / 150 Ncm

Zhaga Socket

Standard	Zhaga interface
Temperature range	-40 ... +90 °C
Protection Class	IP 65/66

Block Connectors

Connections	<p>External Solid: 2 x 0.5 - 2.5 mm² Stranded: 2 x 0.75 - 2.5 mm² Flexible, sealed: 2 x 1.5 - 2.5 mm²</p> <p>Internal Solid: 1 x 0.5 - 1.5 mm² and 1 x 0.5 - 2.5 mm² Stranded: 1 x 0.75 - 1.5 mm² and 1 x 0.75 - 2.5 mm²</p> <p>Capacitor Solid: 1 x 0.5 - 0.75 mm²</p>
--------------------	--

Wago Wire Connectors

Connections	2 x 0.4 - 4 mm ²
--------------------	-----------------------------



SLC-Box Zhaga Connection