

## Product Description

The SLC-Hub203-C is a smart street light controller that incorporates motion sensing, GPS positioning, and global cellular connectivity for LED luminaires with Zhaga connector system.

It offers intelligent street light control and a "light on demand" solution in one highly integrated product. Communication is enabled via an automatic 2.4 GHz mesh network between controllers and gateways. Support for motion sensors to meet a wide variety of functional requirements.

The SLC-Hub203-C is a D4i ready / Type A device and SR certified.

## BENEFITS

- Operational cost savings through remote monitoring and real-time maintenance.
- Display of the current luminaire status data.
- Track and evaluate your energy use.
- Remote monitoring of individual controllers without gateway (eSIM included).
- Support DALI DT6 and DT7

## FEATURES



### Remote Management

The Light Management Platform provides real-time and historical data of the entire lighting network. It allows the remote management and control of all connected lighting points using a user-friendly cloud interface.



### On-Site Management

The intuitive, easy-to-use configuration tool allows the on-site configuration of all parameters (i.e., dimming level etc.) for either an individual or a group of luminaires.



### Global Cellular Connectivity

Preinstalled eSIM for instant data connection worldwide. Protocols supported: LTE Cat M1, NB-IoT NB2, EGPRS.



### Automatic GNSS Positioning

The GNSS receiver provides precise, geo-located date/time data, enabling the accurate and automatic control of the lighting behavior.



### Mesh Network

The Communication is ensured via an automatic, organizing 2.4 GHz mesh network. Each streetlight communicates with all luminaires which can be reached.



### AstroDim

AstroDim provides the accurate sunrise and sunset timing of the very location as a basis for the definition of the light control profiles.



### Brightness Sensor

With the integrated brightness sensor, the light can be automatically switched on or off depending on the ambient light level.



### Tilt Sensor

Detects X, Y, and Z-axis movements through integrated inclination sensing. Generates alerts when changes in inclination occur, such as in the event of a collision of a road user with a pole.



### Temperature Sensor

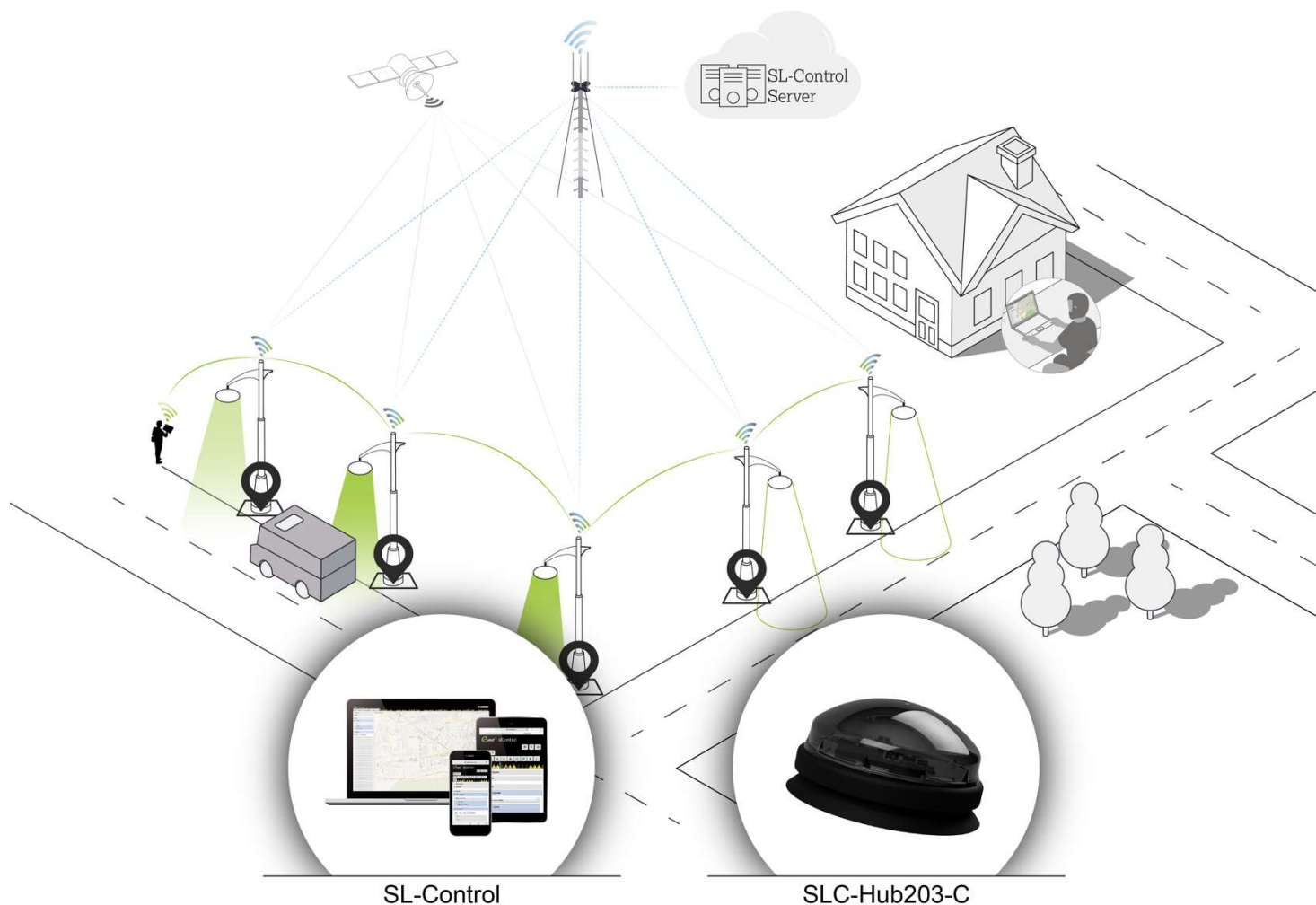
With the integrated temperature sensor, the controller can be actively monitored. By regularly checking the information about the luminaire status, proactive maintenance and failures can be avoided.



### Gateway Function

Remote monitoring of individual controllers without gateway (eSIM included).

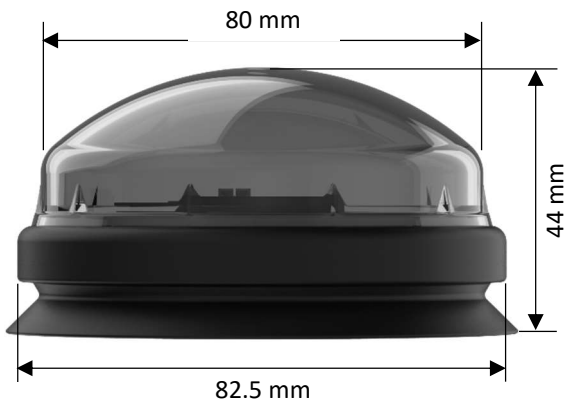




Thanks to the integrated eSIM and gateway function, an SLC-Hub203-C can establish a connection to the SL-Control web platform while maintaining a network with all other esave equipped lights within reach.

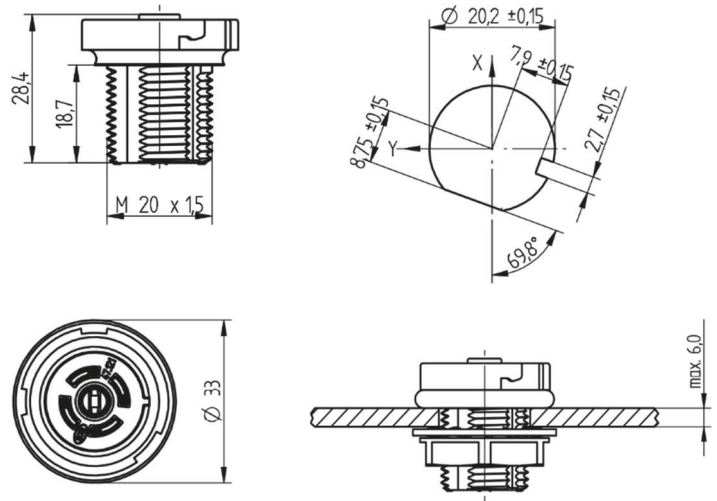
## DIMENSIONS & WEIGHT

### SLC-Hub203-C



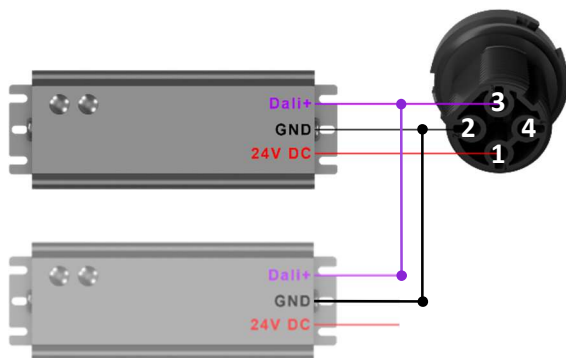
Width	82.5 mm
Dome width	80 mm
Height	44 mm
Product weight	73 g

### Zhaga Connector



Outer diameter	30.0 mm
Height without plug	28.4 mm
Thread length	18.7 mm
Thread pitch	M20 x 1.5
Material	PBT
Wire size	20-16 AWG (0.5 - 1.5 mm <sup>2</sup> )
Mounting	Torque mounting nut 1.8 to 2.4 Nm using a 27 mm hex socket

## WIRING



**Note:** The controller supports up to 4 LED Drivers simultaneously.

## Maximum Ratings

Supply voltage	0 – 34 V DC
Current input	6 – 60 mA
Storage temperature	-40...+90 °C

## Operating Characteristics

Supply voltage range	12 – 30 V DC   typ. 24 V DC
Current input (24 V DC)	7 – 15 mA
Average Power usage (24 V DC)	180 mW
Signal input (motion detection)	$V_{MOT\ HIGH\ Level}: 12 - V_{cc}$   $V_{MOT\ LOW\ Level}: 0.0 - 0.5\ V$
Operating temperature	-40...+80 °C
DALI input current	max: 250 mA
Protection class	IP66

## Mesh characteristics

RF frequency range	2.420 – 2.480 GHz
RF nominal output power	+8 dBm
Receiver sensitivity	-100 dBm

## Cellular characteristics

Protocols	LTE Cat M1, NB-IoT NB2, EGPRS
Frequency Bands (MHz)	CAT M1: B1/B2/B3/B4/B5/B8/B12/B13/B18/B19/B20/B25/B26/B27/B28/B66/B8 NB-IoT NB2: B1/B2/B3/B4/B5/B8/B12/B13/B18/ B19/B20/B25/B28/B66/B71/B8 EGPRS: 850/900/1800/1900 MH

## Materials & Colors

Dome material	Polycarbonate
Dome color	Transparent Smoke Gray
Body material	PBT
Body color	Grey



SLC-Hub203-C