



## Product Description

The SLC-Noise203-C is a smart street light controller that incorporates GNSS positioning, and global cellular connectivity for LED luminaires with Zhaga connector system with ambient Noise sensing capability.

It offers intelligent street light control and a "light on demand" solution in one highly integrated product. Communication is enabled via an automatic 2.4 GHz mesh network. With the integrated global eSIM, individual controllers can connect directly to the cloud platform without gateway.

The SLC-Noise203-C is a D4i ready / Type A device and SR certified.

## BENEFITS

- Operational cost savings through remote monitoring and real-time maintenance.
- High precision ambient Noise level sensor.
- Display of the current luminaire status data.
- Track and evaluate your energy use.
- Remote monitoring of individual controllers without gateway (eSIM included).
- Support of DALI DT6 and DT7



## FEATURES



### Remote Management

The Light Management Platform provides real-time and historical data of the entire lighting network. It allows the remote management and control of all connected lighting points using a user-friendly cloud interface.



### On-Site Management

The intuitive, easy-to-use configuration tool allows the on-site configuration of all parameters (i.e., dimming level etc.) for either an individual or a group of luminaires.



### Mesh Network

The Communication is ensured via an automatic, organizing 2.4 GHz mesh network. Each streetlight communicates with all luminaires which can be reached.



### Global Cellular Connectivity

Preinstalled eSIM for instant data connection worldwide. Protocols supported: LTE Cat M1, NB-IoT NB2, EGPRS.



### Automatic GNSS Positioning

The GNSS receiver provides precise, geo-located date/time data, enabling the accurate and automatic control of the lighting behavior.



### AstroDim

AstroDim provides the accurate sunrise and sunset timing of the very location as a basis for the definition of the light control profiles.



### Tilt Sensor

Detects X, Y, and Z-axis movements through integrated inclination sensing. Generates alerts when changes in inclination occur, such as in the event of a collision of a road user with a pole.



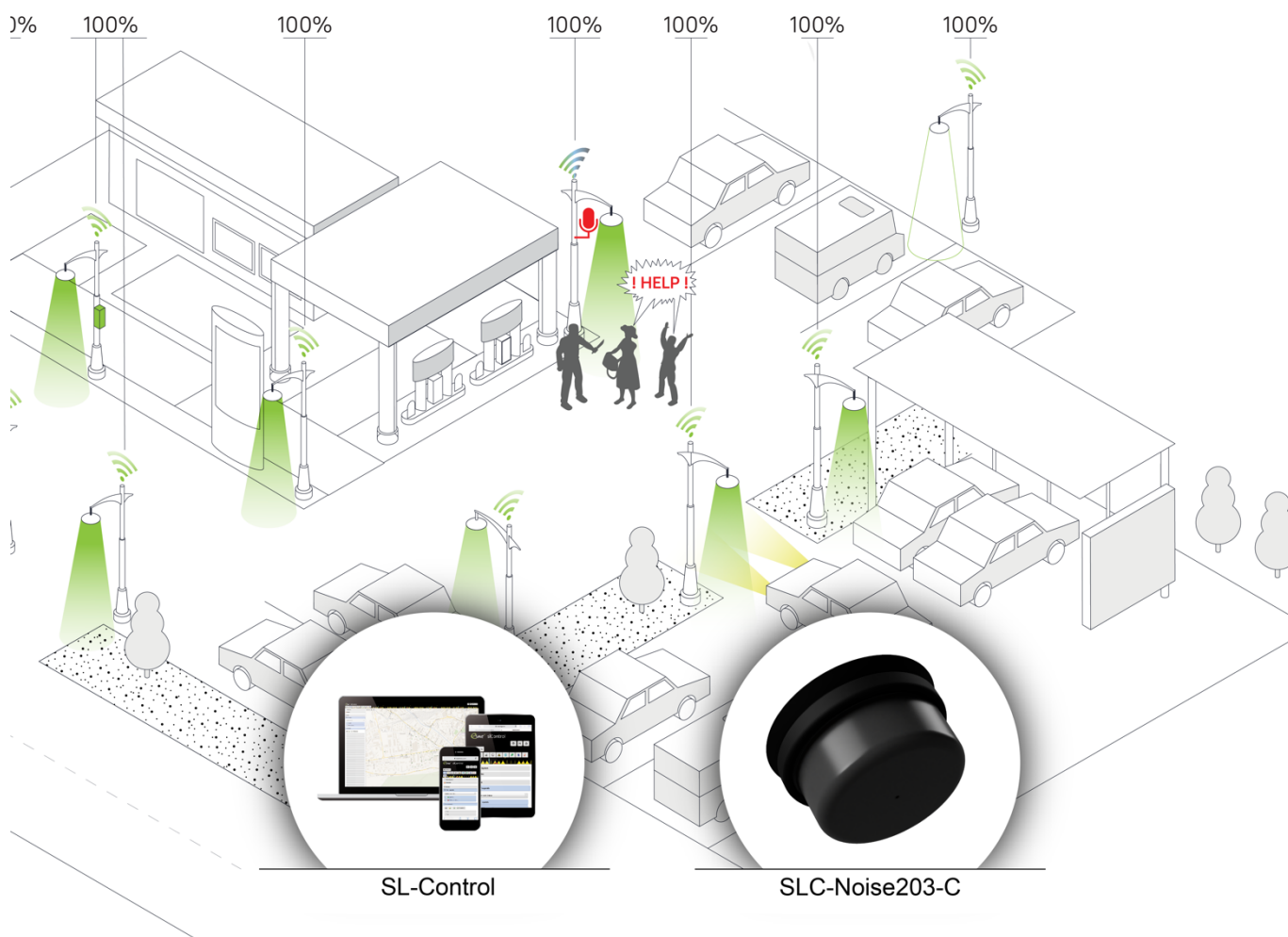
### Ambient Noise Sensor

With the integrated Ambient Noise Sensor, the ambient can be actively monitored, threshold of noise level for action can be set, monitoring of min/max. levels of noise can be measured and displayed.



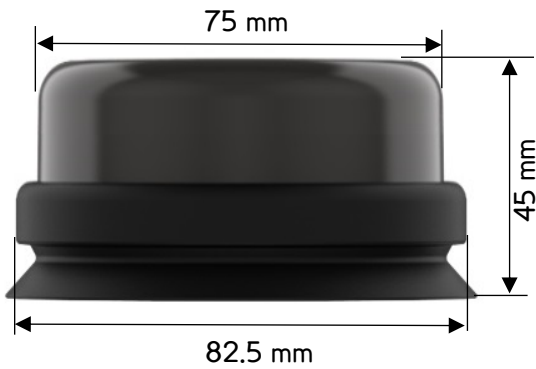
### Gateway Function

Remote monitoring of individual controllers without gateway (eSIM included).



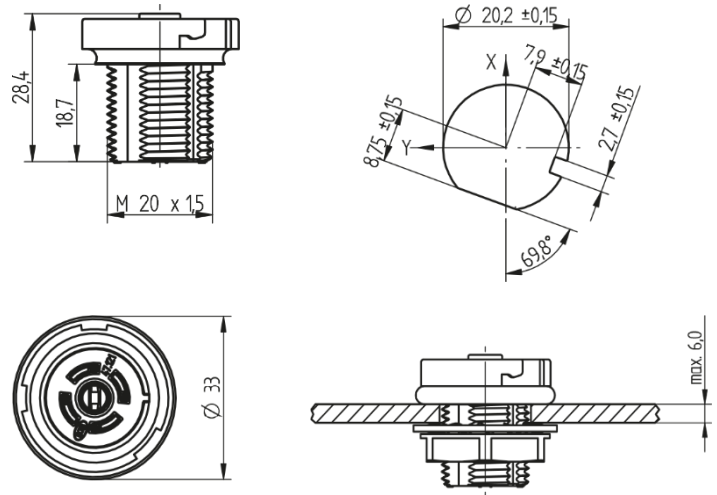
## DIMENSIONS & WEIGHT

### SLC-Noise203-C



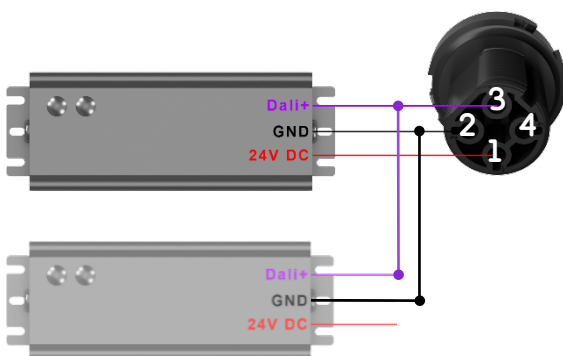
Width	82.5 mm
Dome width	75 mm
Height	45 mm
Product weight	145 g

### Zhaga Connector



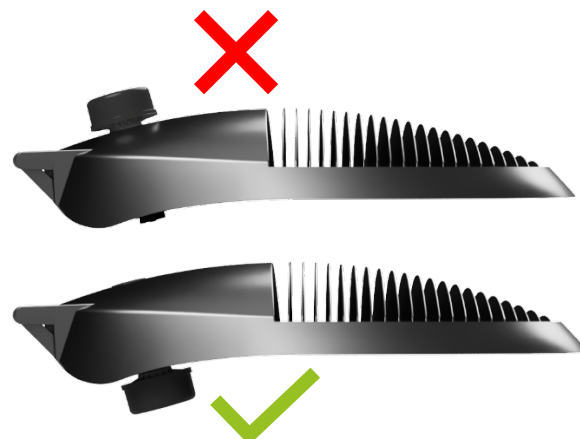
Outer diameter	30.0 mm
Height without plug	28.4 mm
Thread length	18.7 mm
Thread pitch	M20 x 1.5
Material	PBT
Wire size	20-16 AWG (0.5 - 1.5 mm <sup>2</sup> )
Mounting	Torque mounting nut 1.8 to 2.4 Nm using a 27 mm hex socket

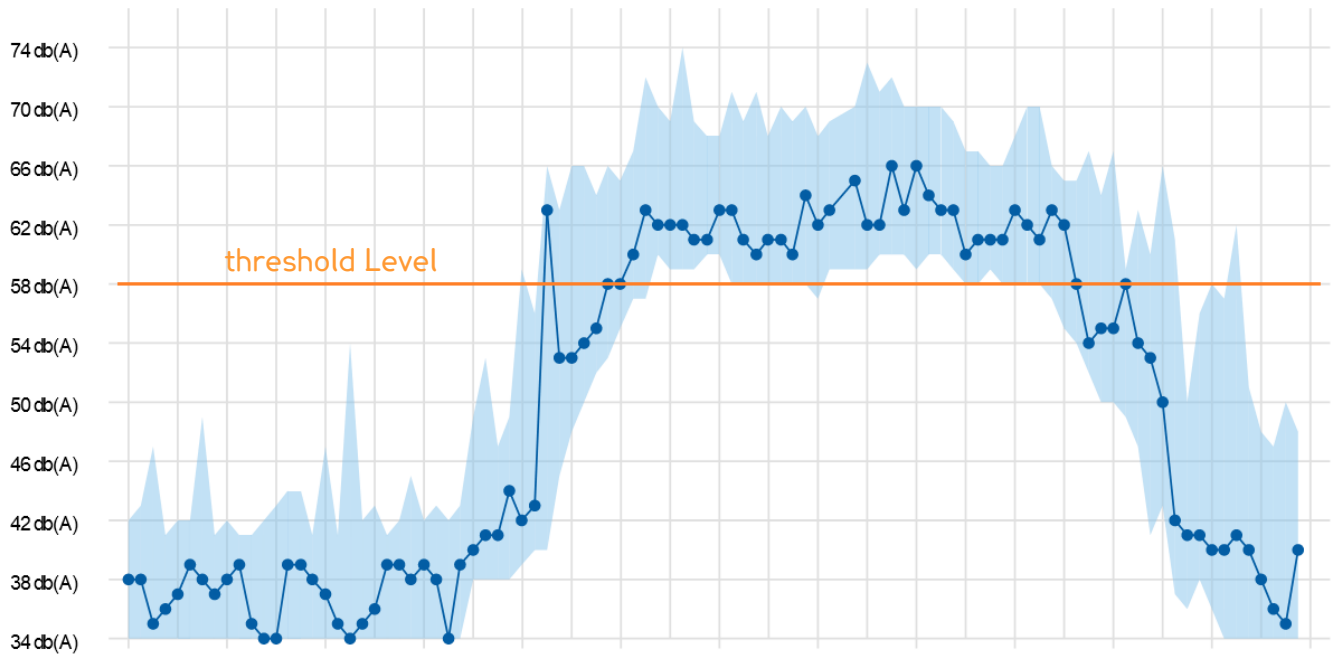
## WIRING



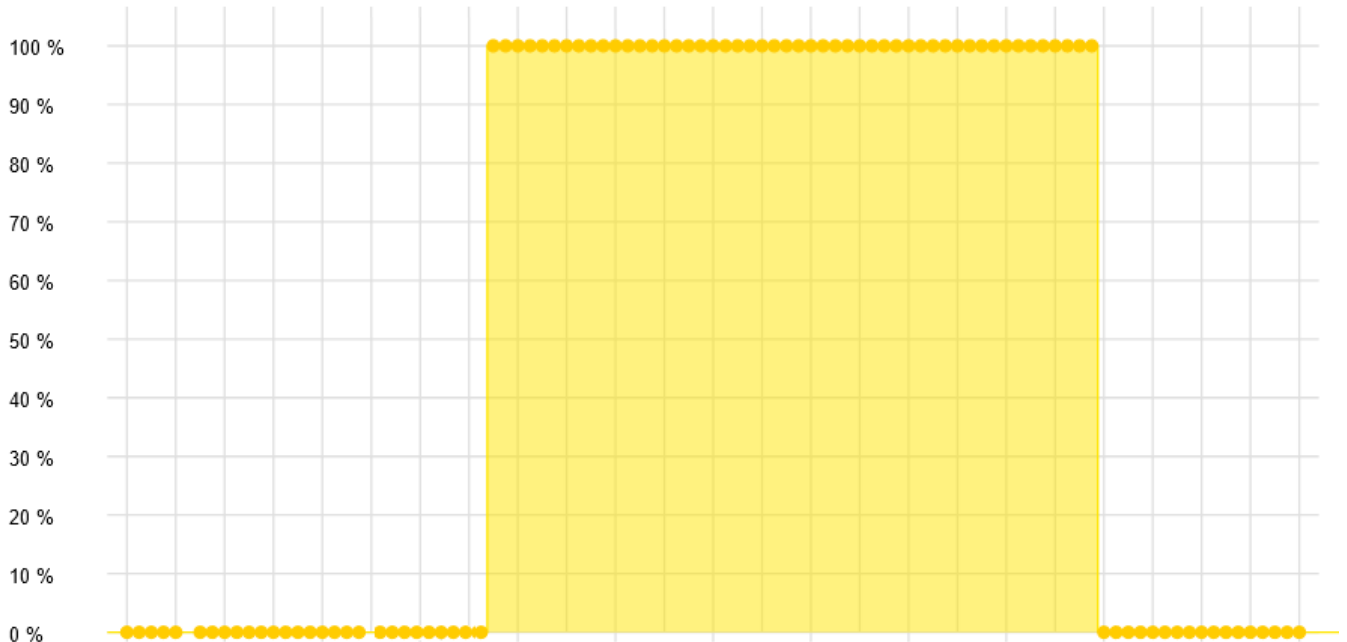
**Note:** The controller supports up to 4 LED Drivers simultaneously.

## INSTALLATION





A NOISE LEVEL LIMIT CAN BE SET TO ACTIVATE THE LIGHT



## Maximum Ratings

Supply voltage	0 – 34 V DC
Current input	10 – 170 mA
Storage temperature	-40...+70 °C

## Operating Characteristics

Supply voltage range	12 – 30 V DC   typ. 24 V DC
Current input (24 V DC)	15 – 25 mA
Power usage max. (24 V DC)	50 mW
Operating temperature	-40...+70 °C
DALI input current	max: 250 mA
Protection class	IP65

## Wireless Characteristics

RF frequency range	2.420 – 2.480 GHz
RF nominal output power	+8 dBm
Receiver sensitivity	-100 dBm

## Noise Sensing

High accuracy	±2 dB
Measurement range	35 dB to 120 dB
Frequency Range	30 Hz to 8 kHz

## Materials & Colors

Dome material	Polycarbonate
Dome color	Dark Gray
Body material	PBT
Body color	Grey