

Description

A passive infrared sensor (PIR sensor) is an electronic sensor that measures infrared (IR) light radiating from objects in its field of view. The term passive refers to the fact that PIR devices do not radiate energy for detection purposes. They work entirely by detecting infrared radiation (radiant heat) emitted by or reflected from objects. A PIR-based motion detector is used to sense movement of cars, people, or other road users.

Application

City Lighting:

- All types of outdoor lights
- Garden Lights

Office & Building:

- Lift Lobby
- Staircases
- Basement

Public Lighting:

- Covered Parking Area
- Commercial center areas

Features

- Small in size: 11 x 11 x 20mm or 22 x 22 x 25mm
- Low power consumption in operation

Types

PIR-5 ST

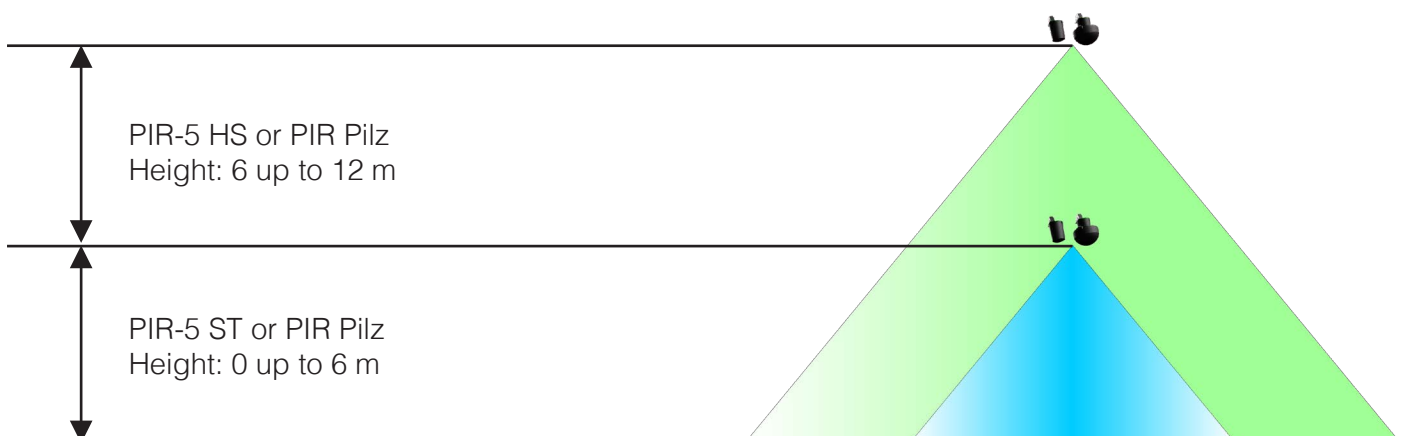
- Standard sensor for the installation height up to 6m

PIR-5 HS

- High Sensitivity sensor for the installation height above 6m and up to 12m
- Both PIR-5 has a detection zone of 64 beams

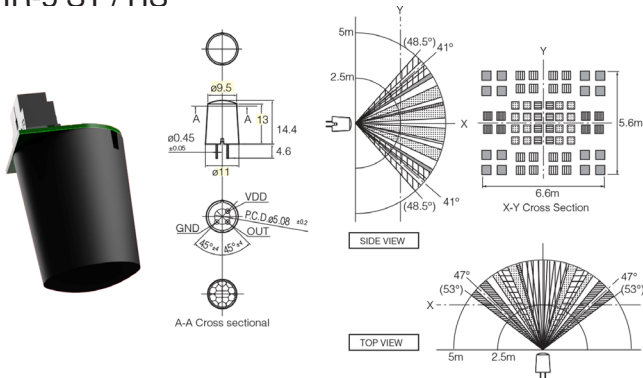
PIR-Pilz

- Detection zone of 92 beams

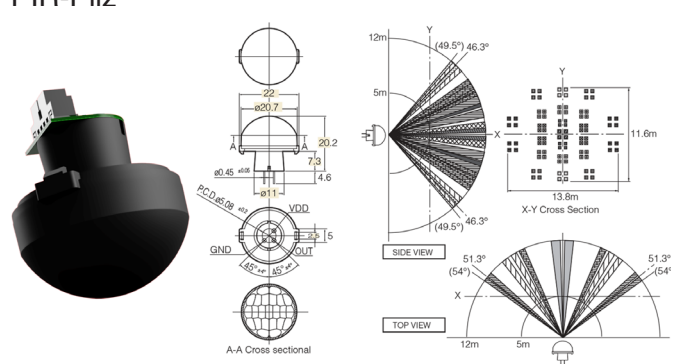


Standard-Angle and Wide-Angle

PIR-5 ST / HS

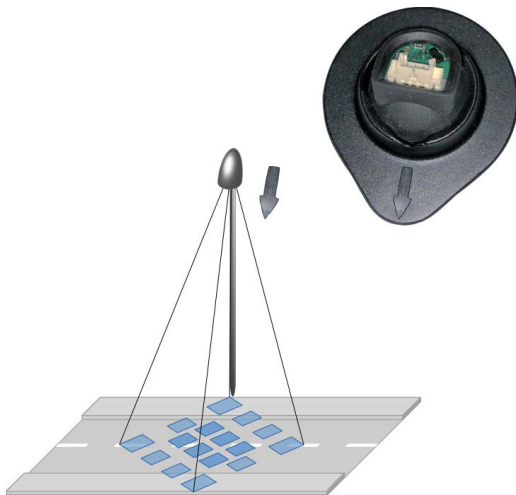


PIR-Pilz

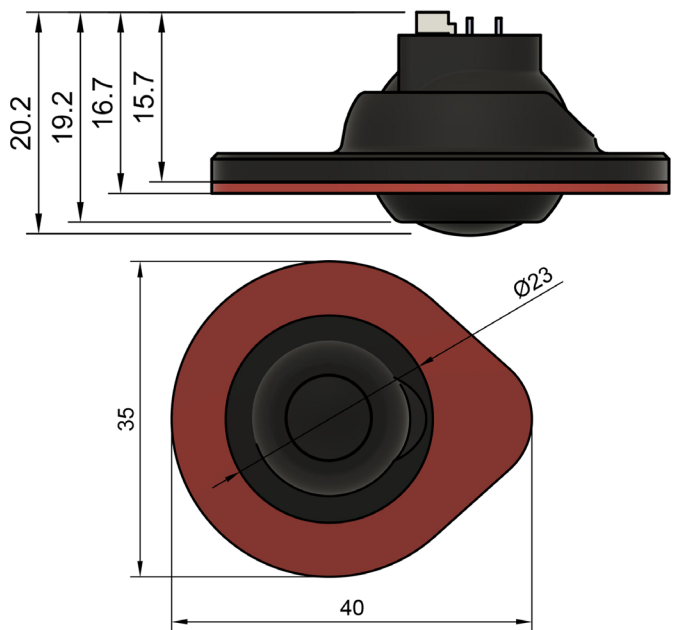


Installation

- Rotate the detection field 45°
- The Arrow of the PIR-5 Sensorholder should point towards the middle of the street
- The PIR adapter allows the tilt of the sensor to align the detection field



Sensorholder



Maximum ratings

Parameter	Sym	Min	Max	Unit
Supply Voltage	V_{in}	-0.3	7	V DC
Output Current	$I_{out_{max}}$		200	mA
Operating Temp.	T_A	-20	+60	°C
Storage Temp.	T_S	-20	+70	°C
Humidity Degree	Rh	15	85	%

Operating characteristics

Parameter	Sym	Min	Typ	Max	Unit
Supply Voltage Range	V_{in}	3.0		6.0	V DC
Current consumption	I_{in}		170		µA
Power Up Time	t_{up}		30		s

Article Number

PIR-5 ST / HS

Article No.	Description
800039	PIR-5 ST incl. 50 cm standard cable
800040	PIR-5 ST incl. 12 cm standard cable
800041	PIR-5 ST incl. 50 cm round cable
800042	PIR-5 ST incl. 50 cm double cable
800229	PIR-5 HS incl. 50 cm standard cable
800045	Sensor Holder for PIR 5

PIR-Pilz

Article No.	Description
800043	PIR-Pilz incl. 50 cm standard cable
800044	PIR-Pilz incl. 50 cm round cable