

Product Description

The SLC-Motion203-C is a smart street light controller that incorporates motion sensing, GPS positioning, and global cellular connectivity for LED luminaires with Zhaga connector system.

It offers intelligent street light control and a "light on demand" solution in one highly integrated product. The adjustable motion sensor automatically responds when detecting an object in the detection area, and communication is enabled via an automatic 2.4 GHz mesh network. With the integrated global eSIM, individual controllers can connect directly to the cloud platform without gateway.

The SLC-Motion203-C is a D4i ready / Type A device and SR certified.

BENEFITS

- Operational cost savings through remote monitoring and real-time maintenance
- Evaluation of traffic volume
- Display of the current luminaire status data
- Track and evaluate your energy use
- Remote monitoring of individual controllers without gateway (eSIM included)



FEATURES



Remote Management

The Light Management Platform provides real-time and historical data of the entire lighting network. It allows the remote management and control of all connected lighting points using a user-friendly cloud interface.



On-Site Management

The intuitive, easy-to-use configuration tool allows the on-site configuration of all parameters (i.e., dimming level etc.) for either an individual or a group of luminaires.



Mesh Network

The Communication is ensured via an automatic, organizing 2.4 GHz mesh network. Each streetlight communicates with all luminaires which can be reached.



Global Cellular Connectivity

Preinstalled eSIM for instant data connection worldwide. Protocols supported: LTE Cat M1, NB-IoT NB2, EGPRS.



Automatic GPS Positioning

The GNSS receiver provides precise, geo-located date/time data, enabling the accurate and automatic control of the lighting behavior.



AstroDim

AstroDim provides the accurate sunrise and sunset timing of the very location as a basis for the definition of the light control profiles.



Brightness Sensor

With the integrated brightness sensor, the light can be automatically switched on or off depending on the ambient light level.



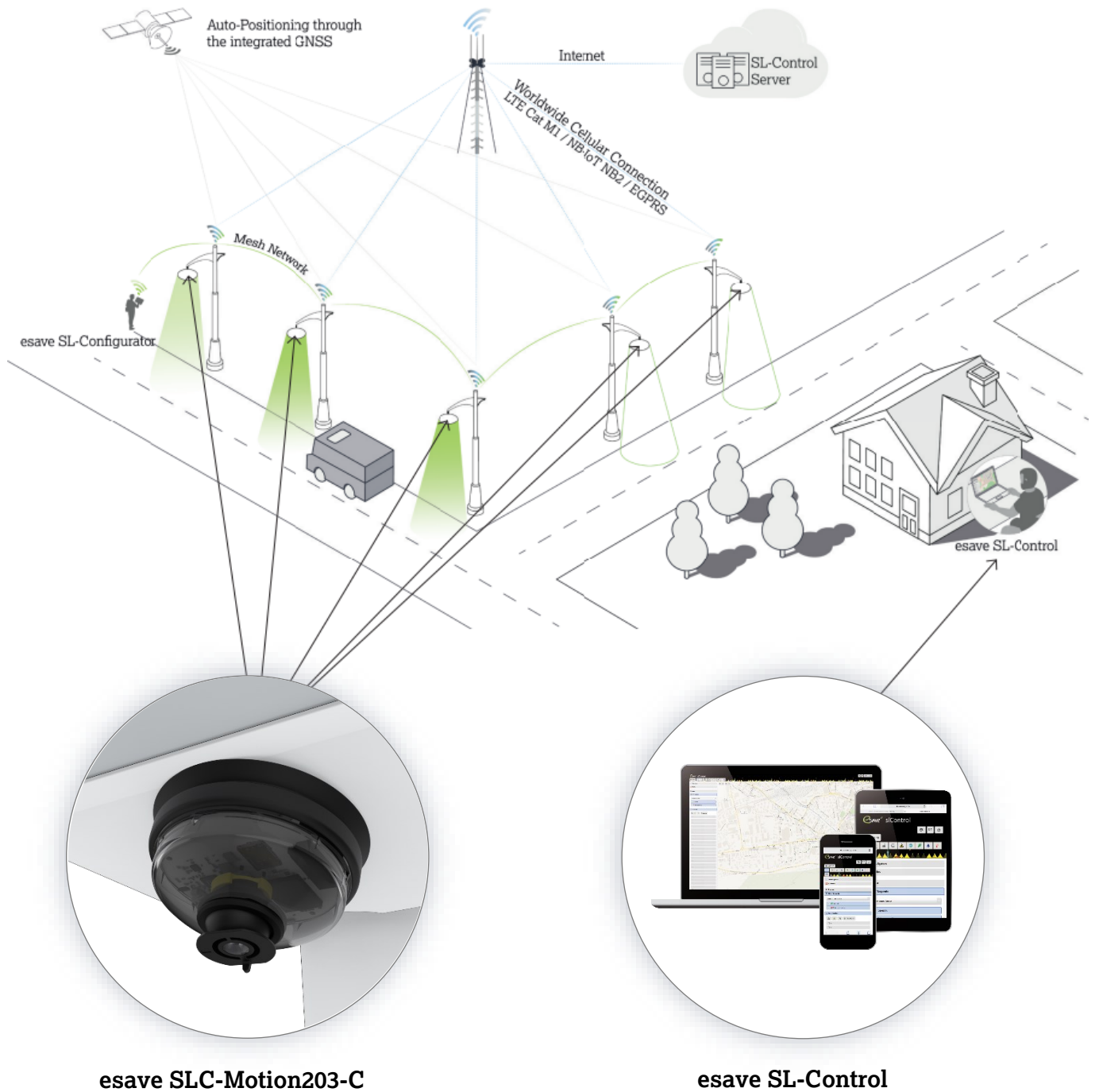
Tilt Sensor

Detects X, Y, and Z-axis movements through integrated inclination sensing. Generates alerts when changes in inclination occur, such as in the event of a collision of a road user with a pole.



Temperature Sensor

With the integrated temperature sensor, the controller can be actively monitored. By regularly checking the information about the luminaire status, proactive maintenance and failures can be avoided.

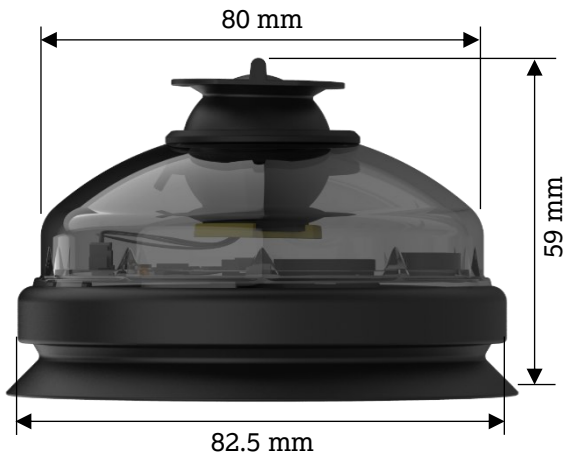


esave SLC-Motion203-C

esave SL-Control

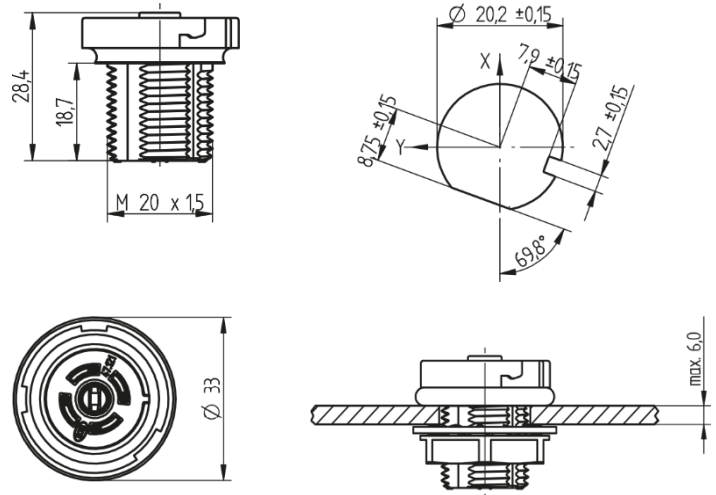
DIMENSIONS & WEIGHT

SLC-Motion203-C



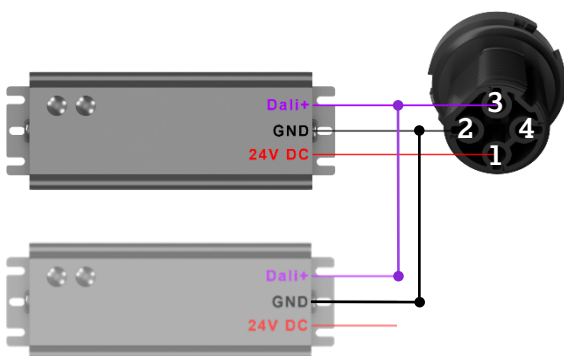
Width	82.5 mm
Dome width	80 mm
Height	59 mm
Product weight	79 g

Zhaga Connector



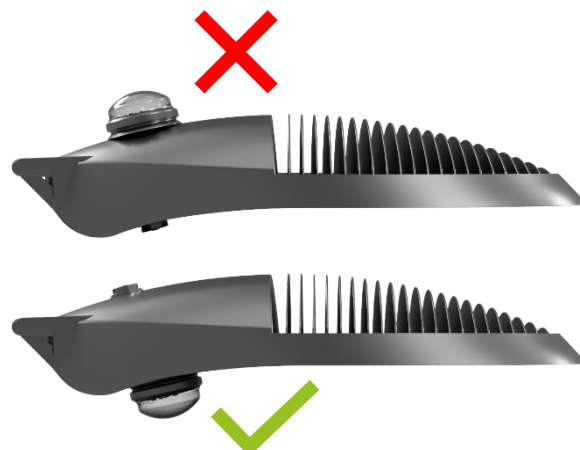
Outer diameter	30.0 mm
Height without plug	28.4 mm
Thread length	18.7 mm
Thread pitch	M20 x 1.5
Material	PBT
Wire size	20-16 AWG (0.5 - 1.5 mm ²)
Mounting	Torque mounting nut 1.8 to 2.4 Nm using a 27 mm hex socket

WIRING



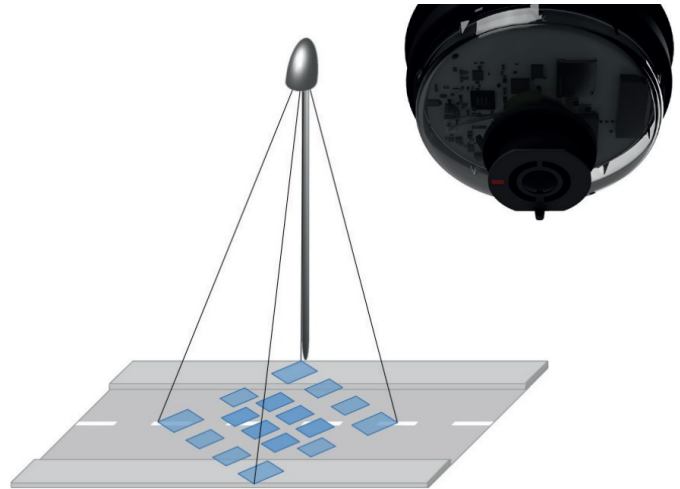
Note: The controller supports up to 4 LED Drivers simultaneously.

INSTALLATION



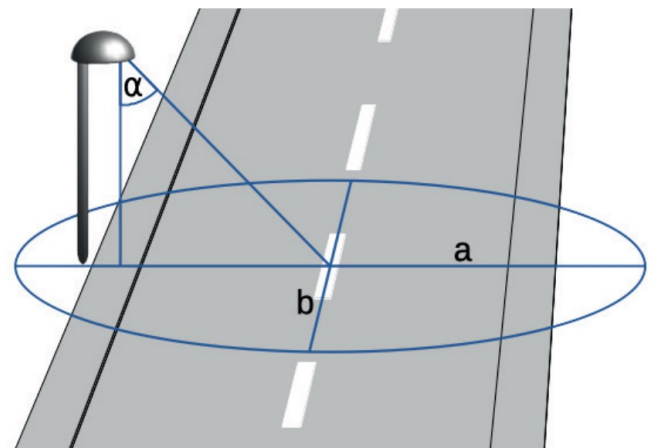
SENSOR ALIGNMENT

- Rotate the detection field 45°
- The small marking should point towards the middle of the street
- The PIR adapter allows to point the sensor in different directions



Alignment Angle

Height	Alignment angle (α)				
		0°	10°	20°	30°
5m	a	8.4	8.8	10.5	14.6
	b	8.4	8.5	8.9	9.7
6m	a	10.1	10.6	12.6	
	b	10.1	10.2	10.7	
7m	a	11.7	12.4	14.7	
	b	11.7	11.9	12.5	
8m	a	13.4	14.2		
	b	13.4	13.6		
9m	a	15.1	15.9		
	b	15.1	15.3		
10m	a	16.8	17.7		
	b	16.8	17.0		
11m	a	18.5			
	b	18.5			



- SLC-Motion203 ST
- SLC-Motion203 HS



Maximum Ratings

Supply voltage	0 – 34 V DC
Current input	6 – 60 mA
Storage temperature	-40...+90 °C

Operating Characteristics

Supply voltage range	12 – 30 V DC typ. 24 V DC
Current input (24 V DC)	7 – 15 mA
Power usage (24 V DC)	180 mW
Signal input (motion detection)	$V_{MOT\ HIGH\ Level}: 12 - V_{CC}$ $V_{MOT\ LOW\ Level}: 0.0 - 0.5\ V$
Operating temperature	-40...+80 °C
DALI input current	max: 250 mA
Protection class	IP66

Wireless Characteristics

RF frequency range	2.420 – 2.480 GHz
RF nominal output power	+8 dBm
Receiver sensitivity	-100 dBm

Materials & Colors

Dome material	Polycarbonate
Dome color	Transparent Smoke Gray
Body material	PBT
Body color	Grey

Disclaimer

Subject to change without notice. esave ag reserves the right to make changes in specifications and/or to discontinue any product at any time without notice or obligation. Always make sure to use the most recent release.

Headquarters and Locations

esave ag

Headquarters
La-Nicca-Strasse 6
7000 Chur
Switzerland

Phone: +41 81 511 55 50
Support: +41 81 511 55 52
info@esaveag.com
support@esaveag.com
www.esaveag.com

esave ag APAC

Asia Office
Phone: +65 6844 1912
Support: +65 9699 0958
chris.lee@esavesg.com

esave Technologies SRL

Romania Office
Phone: +40 728 115205
office@esave-romania.ro

esave Deutschland GmbH

Germany Office
Phone: +49 2152 807 888 0
a.sommer@esavegmbh.de

esave USA Inc.

North America Office
Phone: +1 701 713 4847
info@esave-usa.com

esave Middle East

Middle East Office
Phone: +971 (56) 696 1910
esave.me@esaveag.com

esave Aus pty. ltd.

Australia Office
Phone: +61 413 920 225
a.spottiswood@esaveag.com

esave (Zhejiang) intelligent technology co. ltd.

China Office
Phone: +86 131 8246 0652
13182460652@163.com

Panitek Smart Energy Private Ltd.

India Office
office@panitek.com