

## Product Description

The SLC-Hub203-C is a smart street light controller that incorporates motion sensing, GPS positioning, and global cellular connectivity for LED luminaires with Zhaga connector system.

It offers intelligent street light control and a "light on demand" solution in one highly integrated product. Communication is enabled via an automatic 2.4 GHz mesh network between controllers and gateways. Support for motion sensors to meet a wide variety of functional requirements.

The SLC-Hub203-C is a D4i ready / Type A device and SR certified.

## BENEFITS

- Operational cost savings through remote monitoring and real-time maintenance
- Display of the current luminaire status data
- Track and evaluate your energy use
- Remote monitoring of individual controllers without gateway (eSIM included)



## FEATURES



### Remote Management

The Light Management Platform provides real-time and historical data of the entire lighting network. It allows the remote management and control of all connected lighting points using a user-friendly cloud interface.



### On-Site Management

The intuitive, easy-to-use configuration tool allows the on-site configuration of all parameters (i.e., dimming level etc.) for either an individual or a group of luminaires.



### Global Cellular Connectivity

Preinstalled eSIM for instant data connection worldwide. Protocols supported: LTE Cat M1, NB-IoT NB2, EGPRS.



### Automatic GPS Positioning

The GNSS receiver provides precise, geo-located date/time data, enabling the accurate and automatic control of the lighting behavior.



### Mesh Network

The Communication is ensured via an automatic, organizing 2.4 GHz mesh network. Each streetlight communicates with all luminaires which can be reached.



### AstroDim

AstroDim provides the accurate sunrise and sunset timing of the very location as a basis for the definition of the light control profiles.



### Brightness Sensor

With the integrated brightness sensor, the light can be automatically switched on or off depending on the ambient light level.



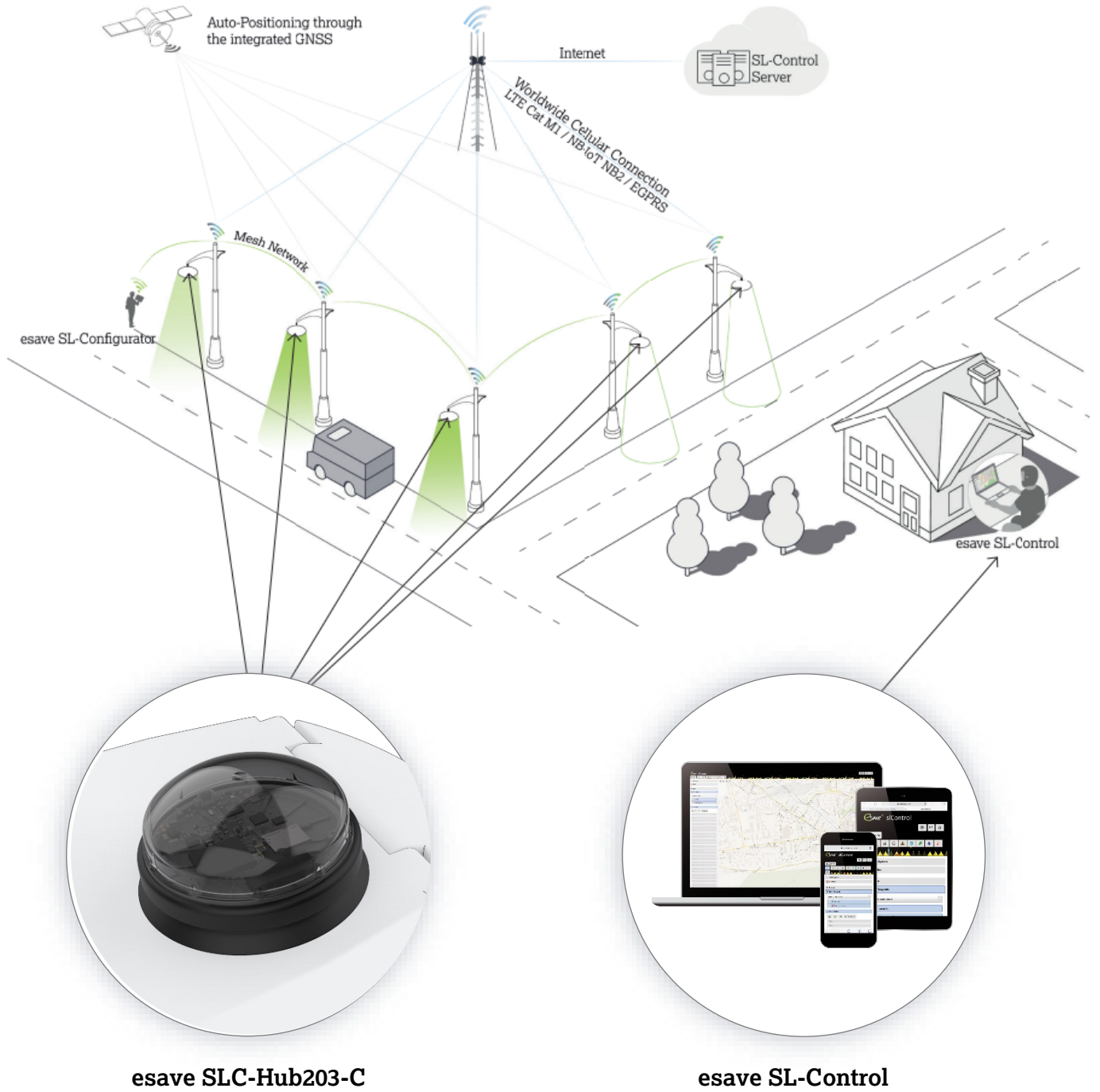
### Tilt Sensor

Detects X, Y, and Z-axis movements through integrated inclination sensing. Generates alerts when changes in inclination occur, such as in the event of a collision of a road user with a pole.



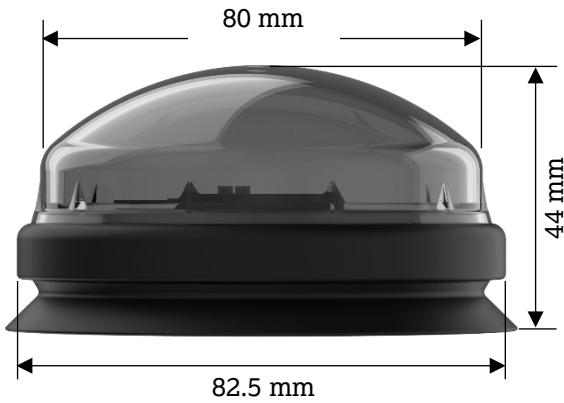
### Temperature Sensor

With the integrated temperature sensor, the controller can be actively monitored. By regularly checking the information about the luminaire status, proactive maintenance and failures can be avoided.



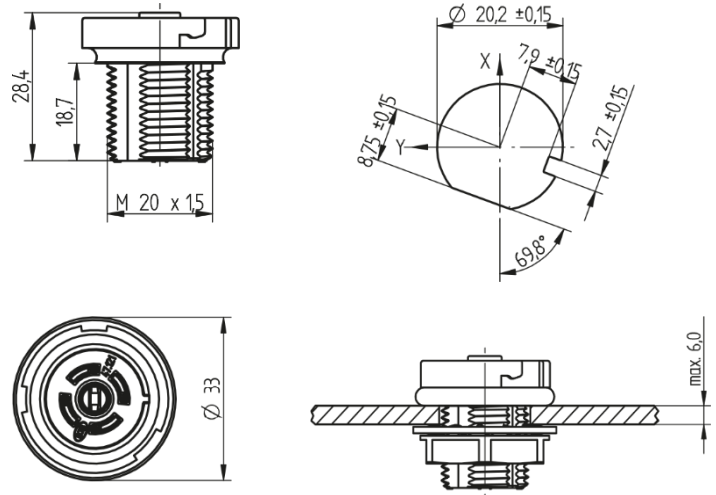
## DIMENSIONS & WEIGHT

### SLC-Hub203-C



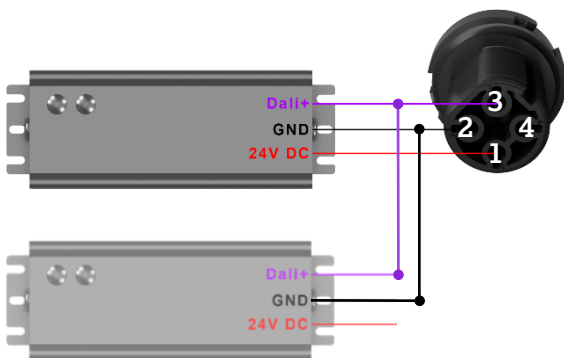
Width	82.5 mm
Dome width	80 mm
Height	44 mm
Product weight	73 g

### Zhaga Connector



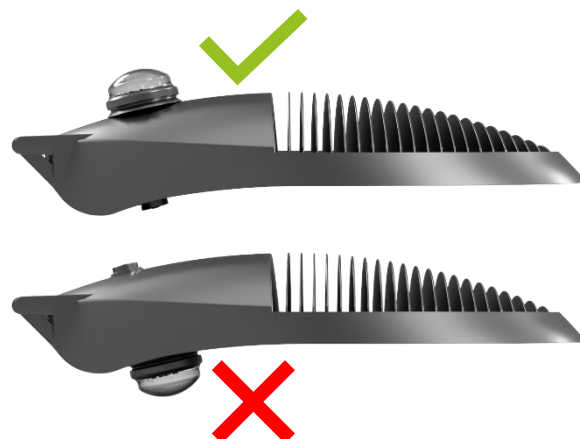
Outer diameter	30.0 mm
Height without plug	28.4 mm
Thread length	18.7 mm
Thread pitch	M20 x 1.5
Material	PBT
Wire size	20-16 AWG (0.5 - 1.5 mm <sup>2</sup> )
Mounting	Torque mounting nut 1.8 to 2.4 Nm using a 27 mm hex socket

## WIRING



**Note:** The controller supports up to 4 LED Drivers simultaneously.

## INSTALLATION



## Maximum Ratings

Supply voltage	0 – 34 V DC
Current input	6 – 60 mA
Storage temperature	-40...+90 °C

## Operating Characteristics

Supply voltage range	12 – 30 V DC   typ. 24 V DC
Current input (24 V DC)	7 – 15 mA
Power usage (24 V DC)	180 mW
Signal input (motion detection)	$V_{MOT\ HIGH\ Level}: 12 - V_{cc}$   $V_{MOT\ LOW\ Level}: 0.0 - 0.5\ V$
Operating temperature	-40...+80 °C
DALI input current	max: 250 mA
Protection class	IP66

## Wireless characteristics

RF frequency range	2.420 – 2.480 GHz
RF nominal output power	+8 dBm
Receiver sensitivity	-100 dBm

## Materials & Colors

Dome material	Polycarbonate
Dome color	Transparent Smoke Gray
Body material	PBT
Body color	Grey

## Disclaimer

Subject to change without notice. esave ag reserves the right to make changes in specifications and/or to discontinue any product at any time without notice or obligation. Always make sure to use the most recent release.

## Headquarters and Locations

**esave ag**

Headquarters  
La-Nicca-Strasse 6  
7000 Chur  
Switzerland

Phone: +41 81 511 55 50  
Support: +41 81 511 55 52  
[info@esaveag.com](mailto:info@esaveag.com)  
[support@esaveag.com](mailto:support@esaveag.com)  
[www.esaveag.com](http://www.esaveag.com)

**esave ag APAC**

Asia Office  
Phone: +65 6844 1912  
Support: +65 9699 0958  
[chris.lee@esavesg.com](mailto:chris.lee@esavesg.com)

**esave Technologies SRL**

Romania Office  
Phone: +40 728 115205  
[office@esave-romania.ro](mailto:office@esave-romania.ro)

**esave Deutschland GmbH**

Germany Office  
Phone: +49 2152 807 888 0  
[a.sommer@esavegmbh.de](mailto:a.sommer@esavegmbh.de)

**esave USA Inc.**

North America Office  
Phone: +1 701 713 4847  
[info@esave-usa.com](mailto:info@esave-usa.com)

**esave Middle East**

Middle East Office  
Phone: +971 (56) 696 1910  
[esave.me@esaveag.com](mailto:esave.me@esaveag.com)

**esave Aus pty. ltd.**

Australia Office  
Phone: +61 413 920 225  
[a.spottiswood@esaveag.com](mailto:a.spottiswood@esaveag.com)

**esave (Zhejiang) intelligent technology co. ltd.**

China Office  
Phone: +86 131 8246 0652  
[13182460652@163.com](mailto:13182460652@163.com)

**Panitek Smart Energy Private Ltd.**

India Office  
[office@panitek.com](mailto:office@panitek.com)