

Product Description

The SLC-RC Switch is used as a replacement for the ring control receiver and can switch up to 3 independent phases.

The switching control can be configured depending on the ambient brightness, time, external inputs, and Astro clock. The configuration and monitoring of the switching function can be done conveniently from the office via the web application: SL-Control or directly on site with the help of the SL-Configurator.

Optionally, a smart meter can be connected. Using the smart meter, current, voltage, power and energy are captured for each phase and visualized graphically in the web application.

BENEFITS

- Replacement for Ring control for on-site and/or remote control of connected street lights by esave SL-Control
- Monitor street light controllers over the mesh network and gateway functionality
- Access measurement data through the esave SL-Control web application
- Integration of Smart Meter for monitoring energy consumption
- Supports LTE Cat M1, NB-IoT NB2, EGPRS

FEATURES



Remote Management

The Light Management Platform provides real-time and historical data of the entire lighting network. It allows the remote management and control of all connected lighting points using a user-friendly cloud interface.



On-Site Management

The intuitive, easy-to-use configuration tool allows the on-site configuration of all parameters (i.e., dimming level etc.) for either an individual or a group of luminaires.



Mesh Network

The Communication is ensured via an automatic, organizing 2.4 GHz mesh network. Each streetlight communicates with all luminaires which can be reached.



Automatic GPS Positioning

The GNSS receiver provides precise, geo-located date/time data, enabling the accurate and automatic control of the lighting behavior



Global Cellular Connectivity

Preinstalled eSIM for instant data connection worldwide. Protocols supported: LTE Cat M1, NB-IoT NB2, EGPRS.



AstroDim

AstroDim provides the accurate sunrise and sunset timing of the very location as a basis for the definition of the light control profiles.



Built-In Relays

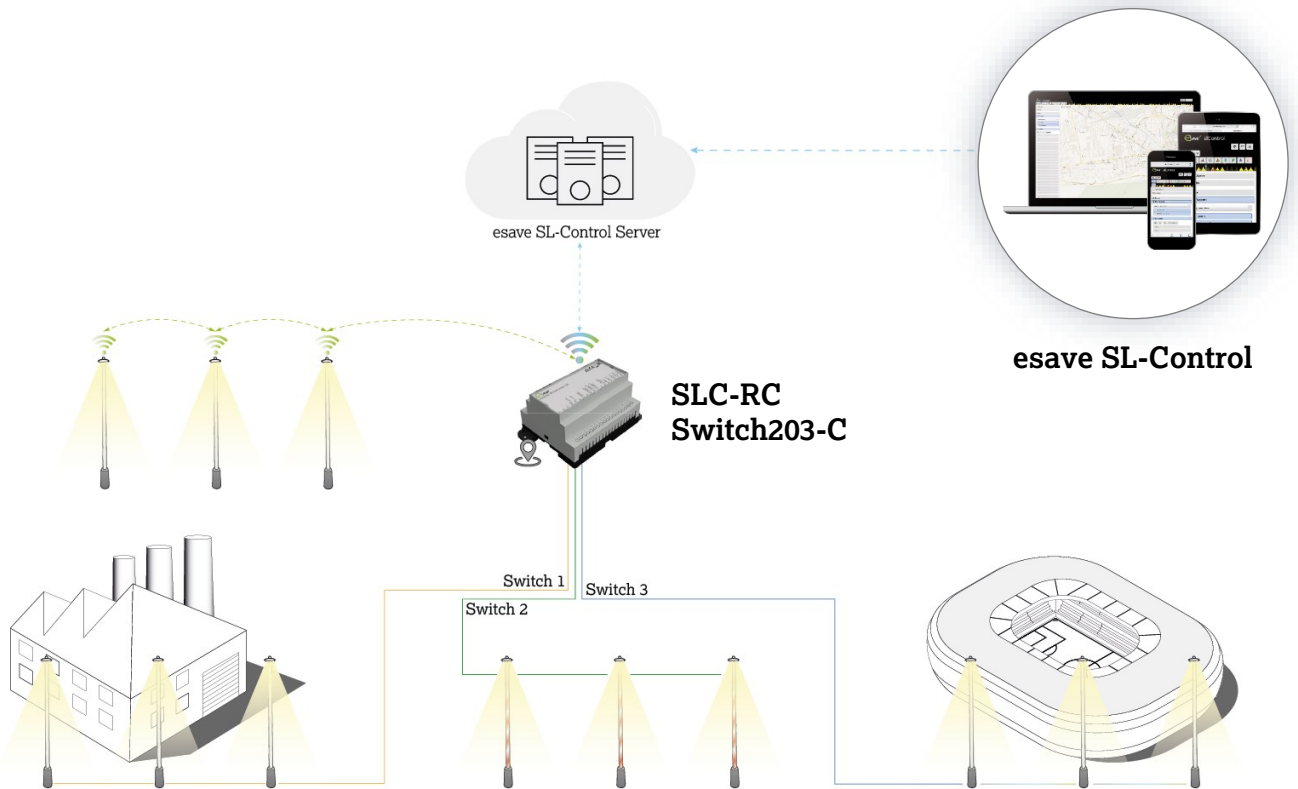
The three integrated relay outputs can be directly controlled through the web application and react immediately on measurement data by connected devices.



Smart Meter

Phase by phase, the SLC-RC Switch can capture current, voltage, power and energy and transmit this data to the web application, which displays it graphically.





MOUNTING CONTROL CABINET

Fast and simple mounting on to standard DIN EN 60715 TH35 rails enables the SLC-RC Switch203-C to be mounted directly inside a standard control cabinet.

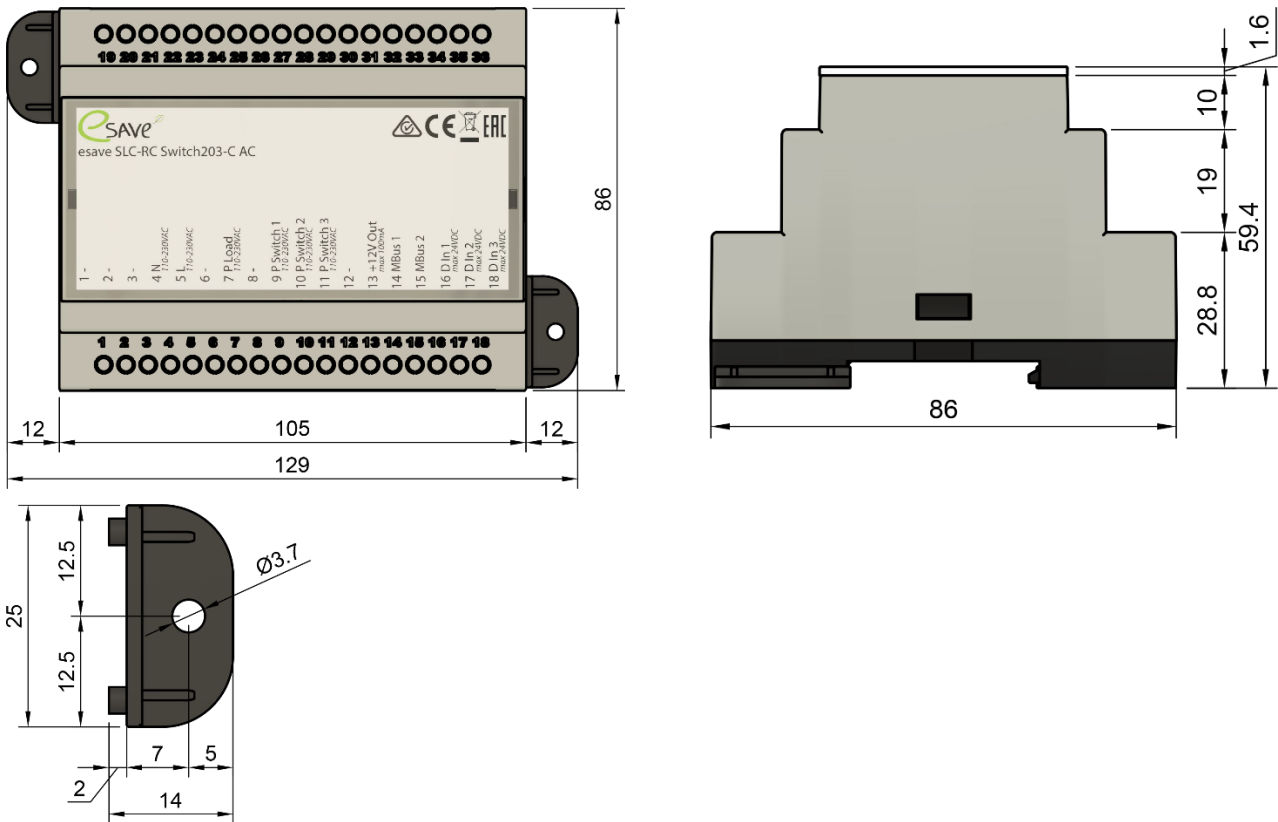


MOUNTING ON WALLS

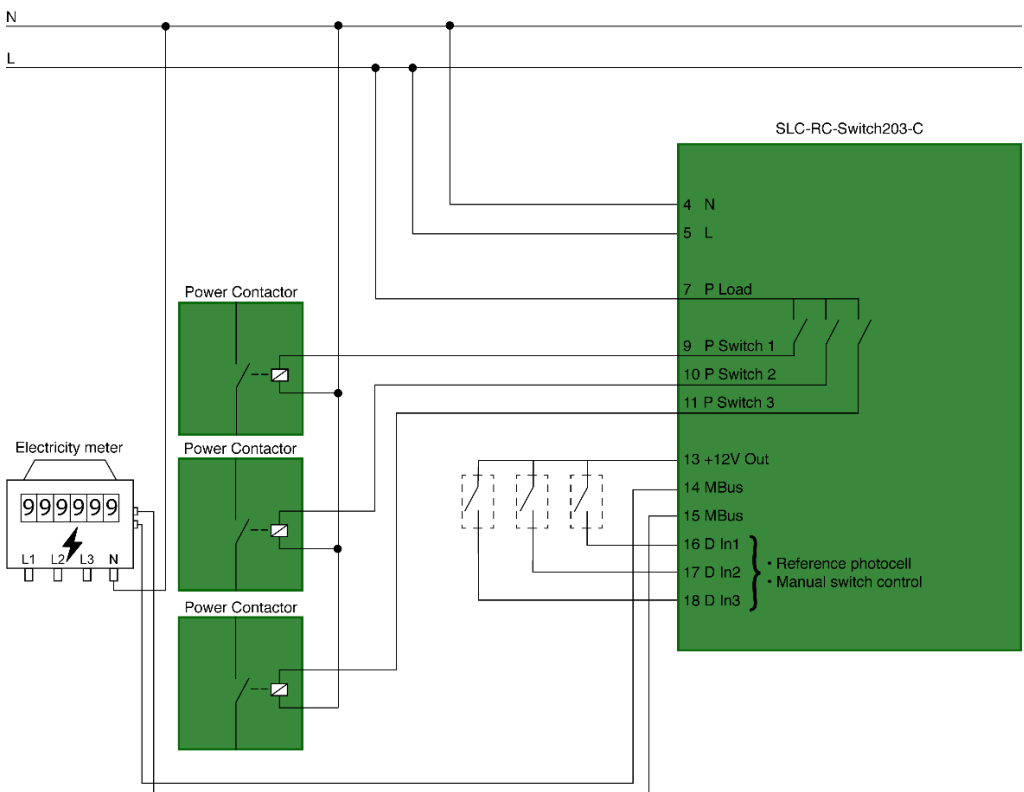
If a DIN rail is not available, the SLC-RC Switch203-C can be mounted on a wall with the supplied wall bracket. The bracket can be easily attached to the Switch housing without screws.



DIMENSIONS



WIRING



Maximum Ratings

Supply voltage	85 – 305 V AC
Current input	70 mA
Storage temperature	-40...+90 °C

Operating Characteristics

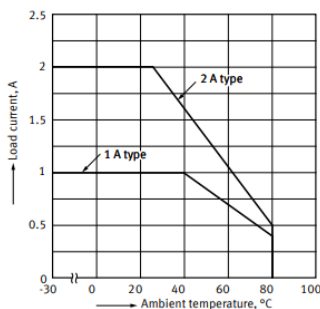
Supply voltage range	110 – 240 V AC typ. 230 V AC
Power usage (230 V AC eMTC)	0.8 W max. 1.3 W
Power usage (230 V AC GSM)	0.8 W max. 2.5 W
Digital signal input	V _{HIGH} Level: 10.5 – 12 V V _{LOW} Level: 0.0 – 4 V
Operating temperature	-30...+80 °C
Protection class	IP20

Relais Output Characteristics

Load voltage	70 – 240 V AC typ. 230 V AC
Frequency	45 – 65 Hz typ. 50 Hz
Load current	0.02 – 2 A*

*Note: Depending on the ambient temperature

1. Load current vs. ambient temperature characteristics

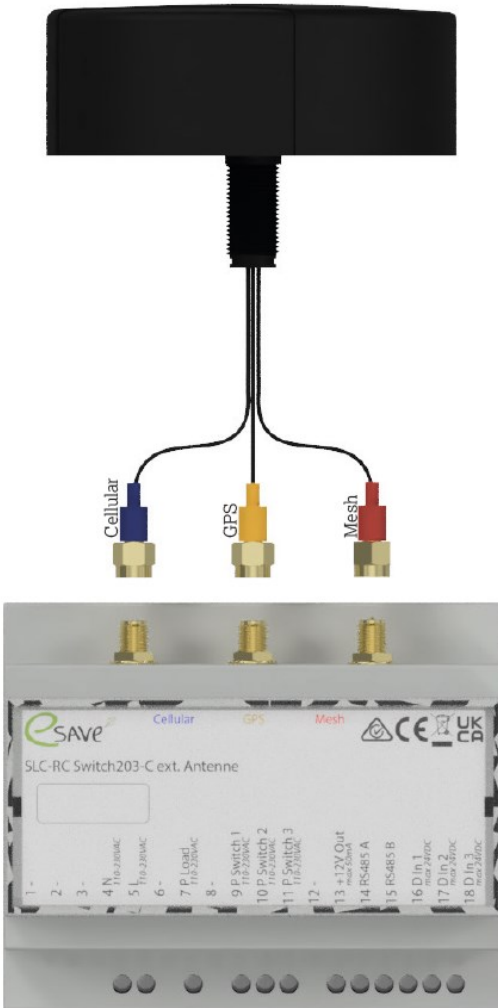


Wireless Characteristics

RF frequency range	2.420 – 2.480 GHz
RF nominal output power	+8 dBm
Receiver sensitivity	-100 dBm

3-in-1 Puck Antenna (Optional)

Connection problems in the control cabinet? The SLC-RC Switch can now be ordered with three antenna connectors. The 3-in-1 puck antenna will be mounted on the outside of the control cabinet and connected to the SLC-RC Switch.



3-in-1 puck antenna

SLC-RC Switch203-C
with antenna connectors

Disclaimer

Subject to change without notice. esave ag reserves the right to make changes in specifications and/or to discontinue any product at any time without notice or obligation. Always make sure to use the most recent release.



SLC-RC Switch203-C

Headquarters and Locations

esave ag
Headquarters
La-Nicca-Strasse 6
7000 Chur
Switzerland

Phone: +41 81 511 55 50
Support: +41 81 511 55 52
info@esaveag.com
support@esaveag.com
www.esaveag.com

esave ag APAC
Asia Office
Phone: +65 6844 1912
Support: +65 9699 0958
chris.lee@esavesg.com

esave Technologies SRL
Romania Office
Phone: +40 728 115205
office@esave-romania.ro

esave Deutschland GmbH
Germany Office
Phone: +49 2152 807 888 0
a.sommer@esavegmbh.de

esave USA Inc.
North America Office
Phone: +1 701 713 4847
info@esave-usa.com

esave Middle East
Middle East Office
Phone: +971 (56) 696 1910
esave.me@esaveag.com

esave Aus pty. ltd.
Australia Office
Phone: +61 413 920 225
a.spottiswood@esaveag.com

esave (Zhejiang) intelligent technology co. ltd.
China Office
Phone: +86 131 8246 0652
13182460652@163.com

Panitek Smart Energy Private Ltd.
India Office
office@panitek.com